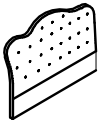


WINDSOR-SINGLE

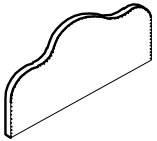
Ax1



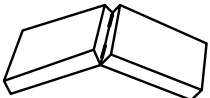
Bx2



Cx1



Ex1



Fx8



M8x25

Gx1



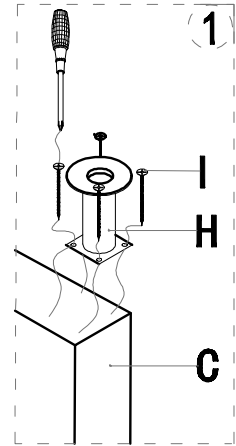
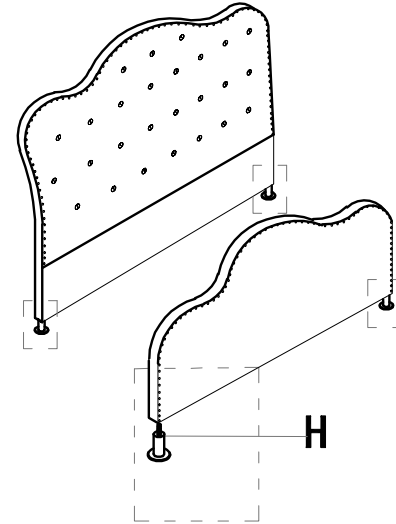
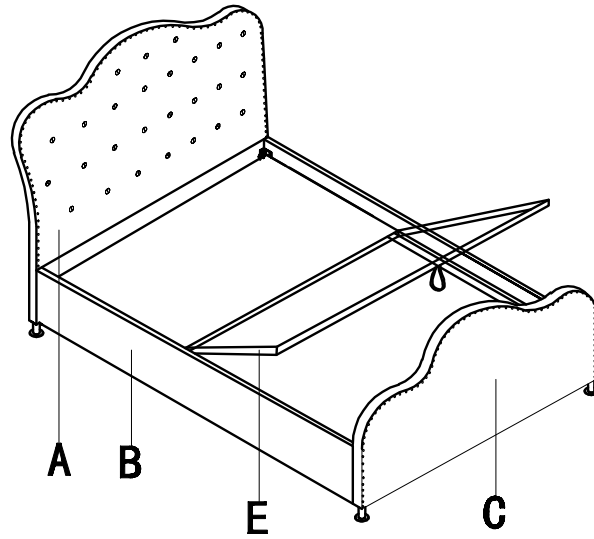
Hx4



Ix16



M4x30



- 1
- 2
- 3
- 4

