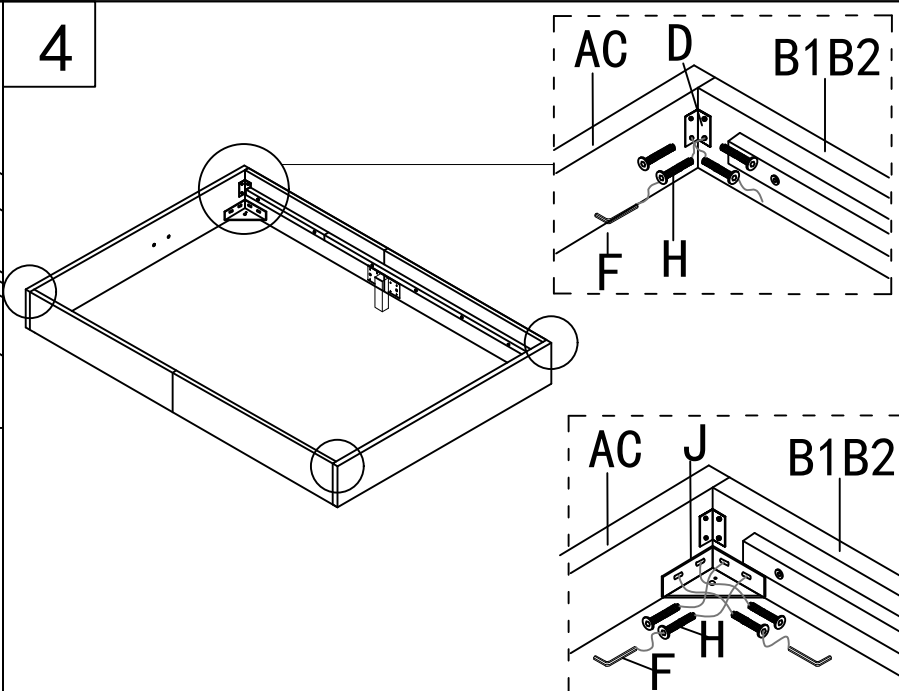
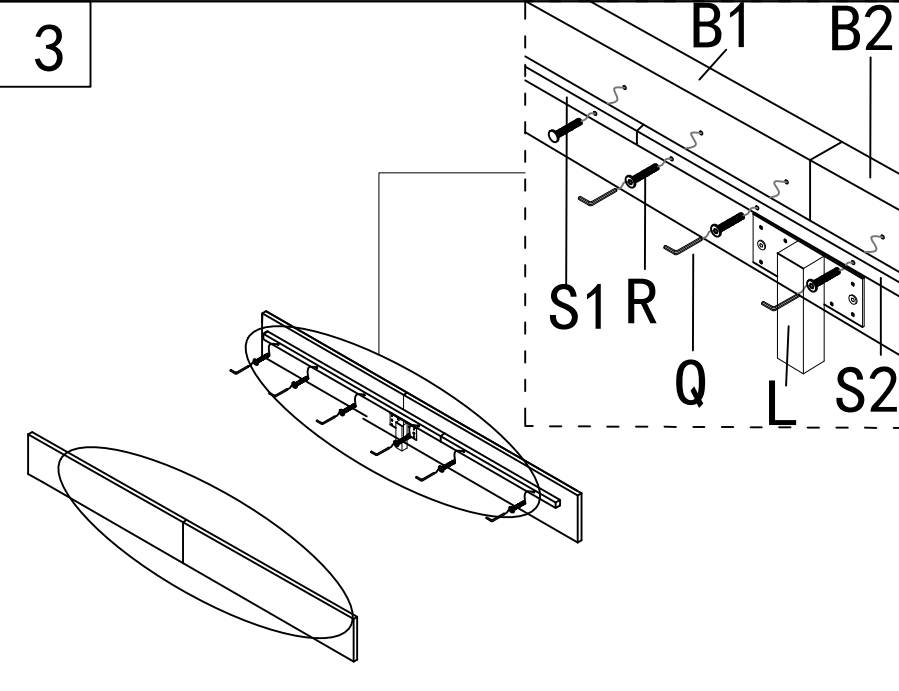
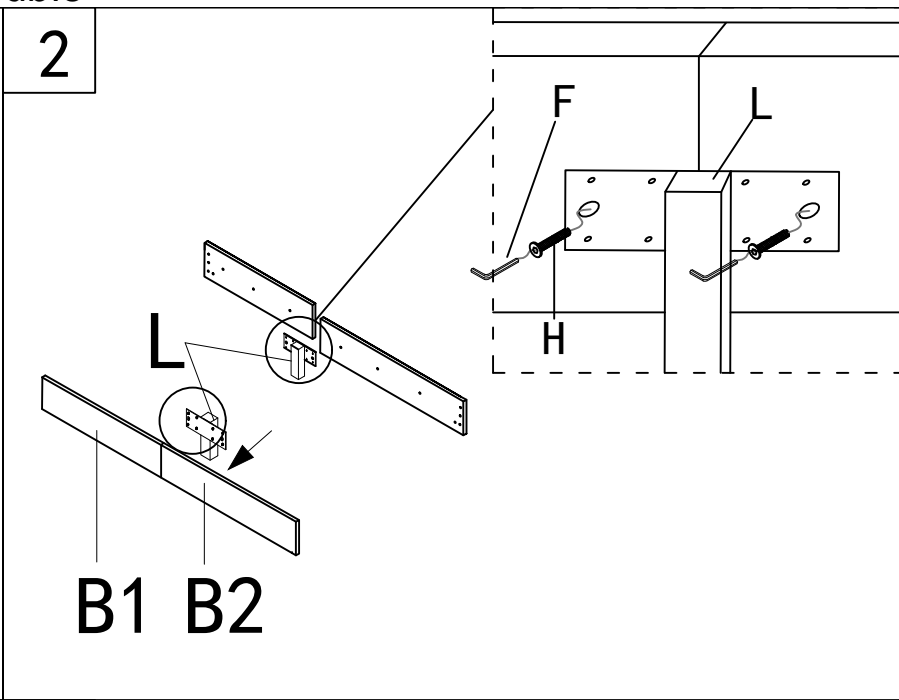
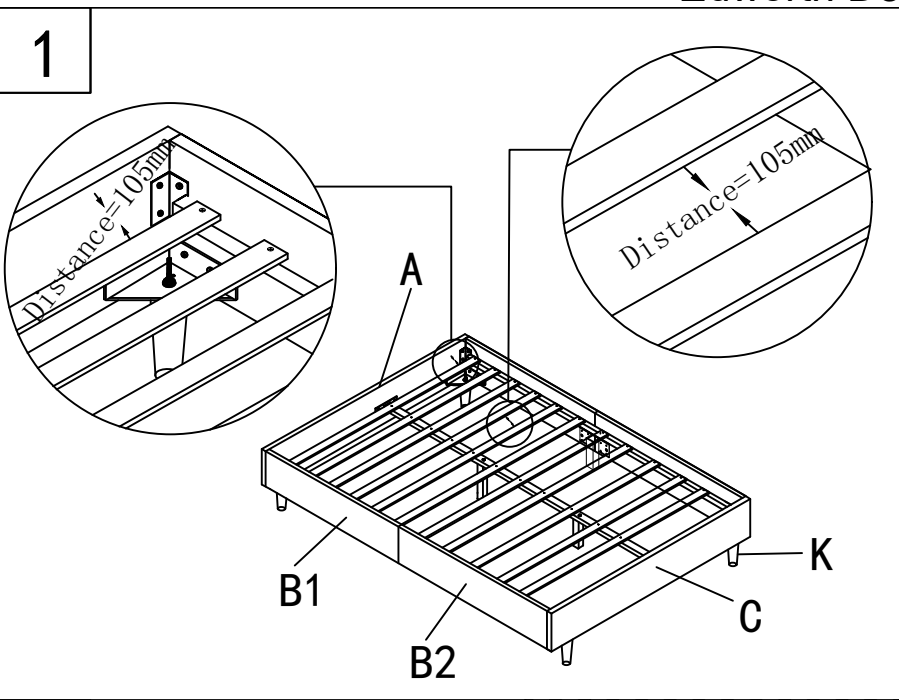



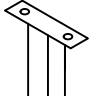
# Edworth Double


<b>A x 1</b> 	<b>B1 x 2 B2 x 2</b> 
<b>C x 1</b> 	<b>D x 4</b> 
<b>E x 2</b> 	<b>F x 1</b>  M8
<b>G x 1</b> 	<b>H x 42</b>  M8x20
<b>I x 3</b>  M8x50	<b>J x 4</b> 
<b>K x 4</b> 	<b>L x 2</b> 
<b>M x 16</b>  M4x20mm	
<b>N1 x 1 N2 x 1</b> 	




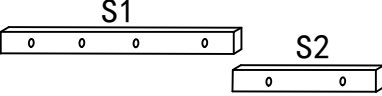
# Edworth Double


**0x6**  


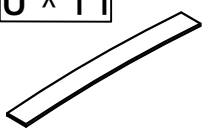
**Px1**  



**Qx1**  
  
 M6

**Rx12**  
  
 M6x40

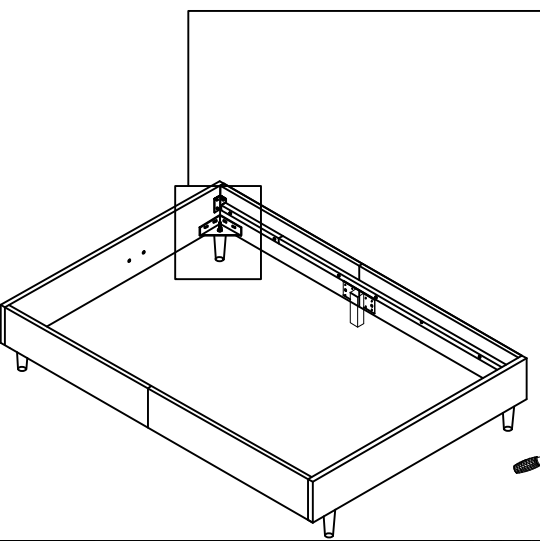
**S1x2 S2x2**  


**T x 1**  


**U x 11**  


**Vx33**  
  
 M4x30mm

**5**

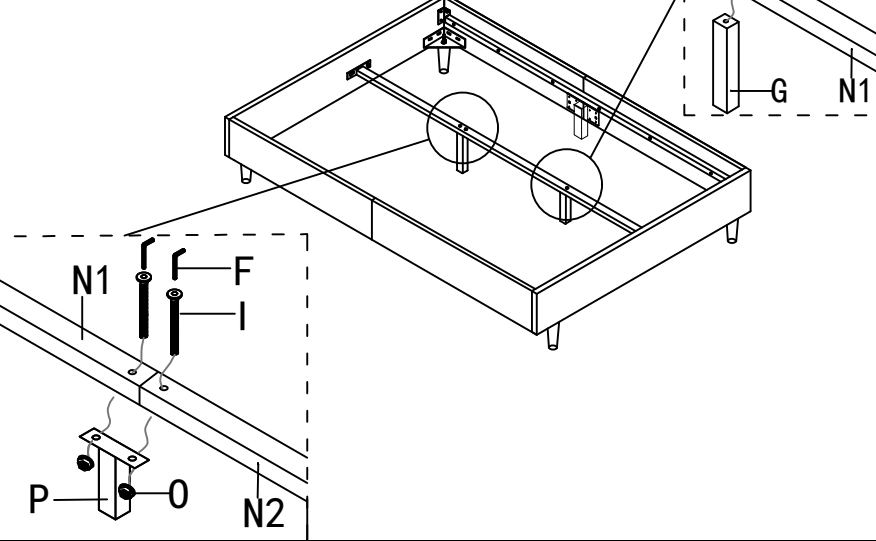


**AC 0** **B1B2**

**T** **K**

**M** **L**

**6**

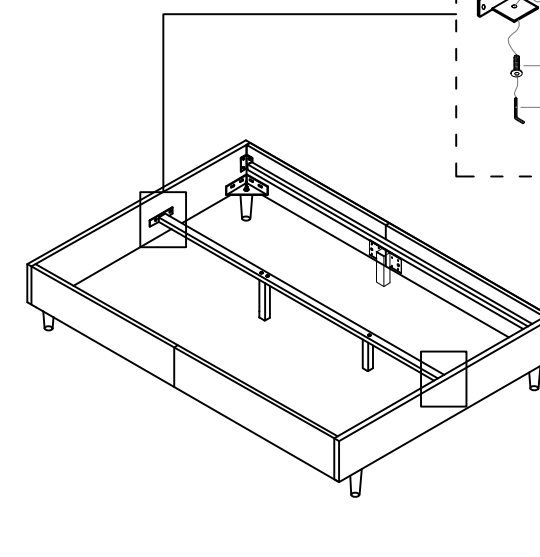


**F** **H** **G** **N1**

**N1** **F** **I**

**P** **O** **N2**

**7**



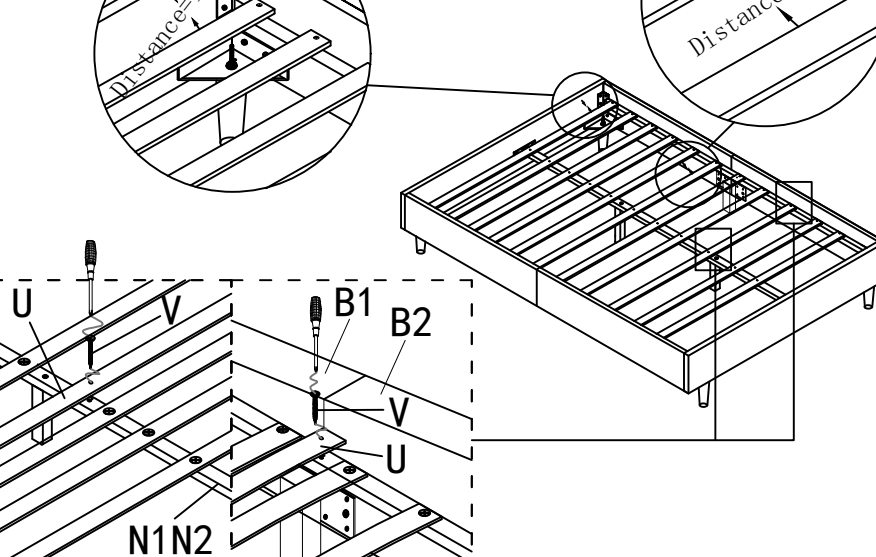
**E** **N1** **N2**

**H** **F**

**E** **H** **F**

**AC** **H** **F** **N1N2**

**8**



**Distance=105mm**

**Distance=105mm**

**U** **V** **B1** **B2** **N1N2**