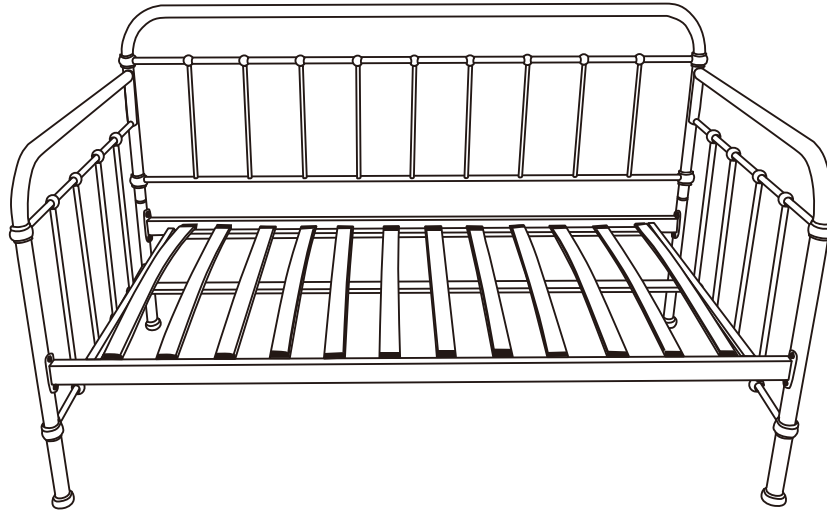
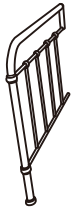
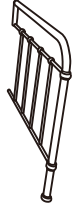
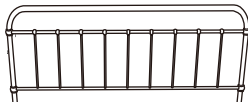
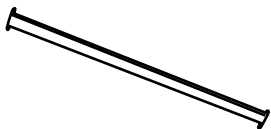
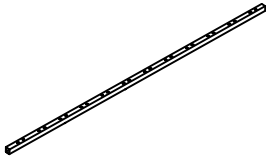
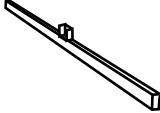

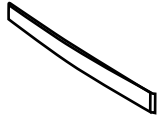





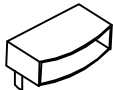




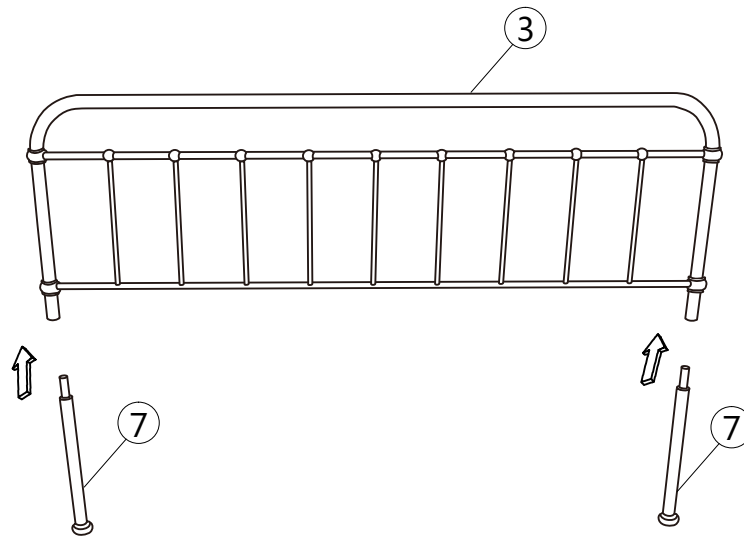
# ASSEMBLY INSTRUCTIONS

## MODEL: HARLOW DAY BED & TRUNDLE

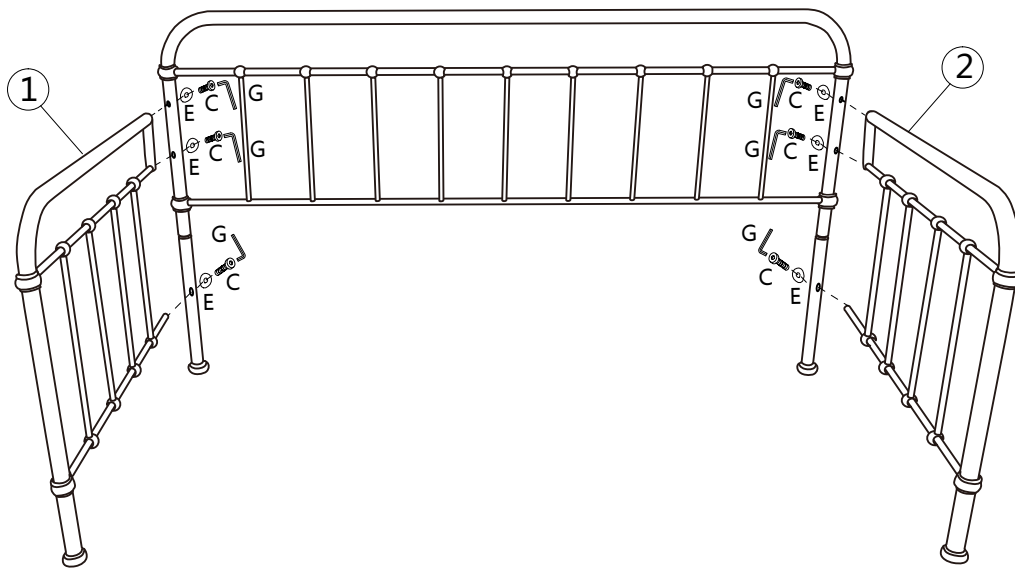


<p>1. Side panel-left 1 pc</p> 	<p>2. Side panel-right 1 pc</p> 	<p>3. Back panel 1 pc</p> 	<p>4. Siderails 2 pcs</p> 
<p>5. Centre bar 1 pc</p> 	<p>6. Cross bar 2 pcs</p> 	<p>7. Short leg 2 pcs</p> 	<p>8. Slat 12 pcs</p> 
<p>A. M8 x 20mm 8pcs</p> 	<p>B. M6 x 35mm 6pcs</p> 	<p>C. M6 x 55mm 6pcs</p> 	<p>D. Nut 6pcs</p>  <p style="text-align: center;">M6</p>
<p>E. Washer 6pcs</p>  <p style="text-align: center;">M6</p>	<p>F. Plastic cap 24pcs</p> 	<p>G. M4 Allen Key 2pcs</p> 	<p>H. Spanner 1pc</p> 

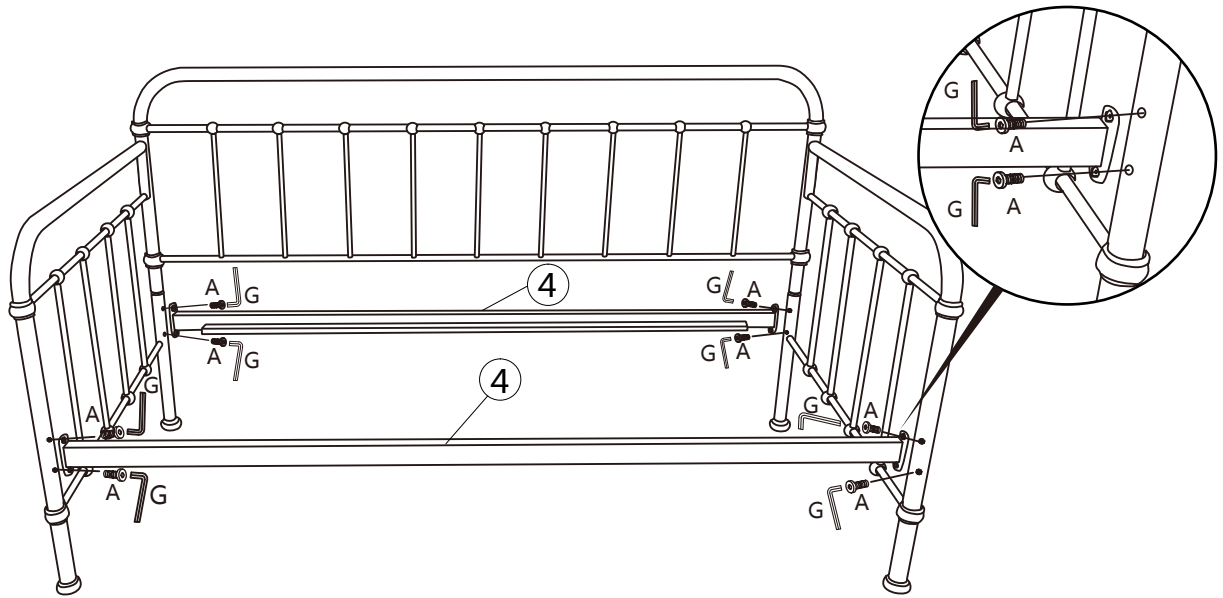
# STEP 1



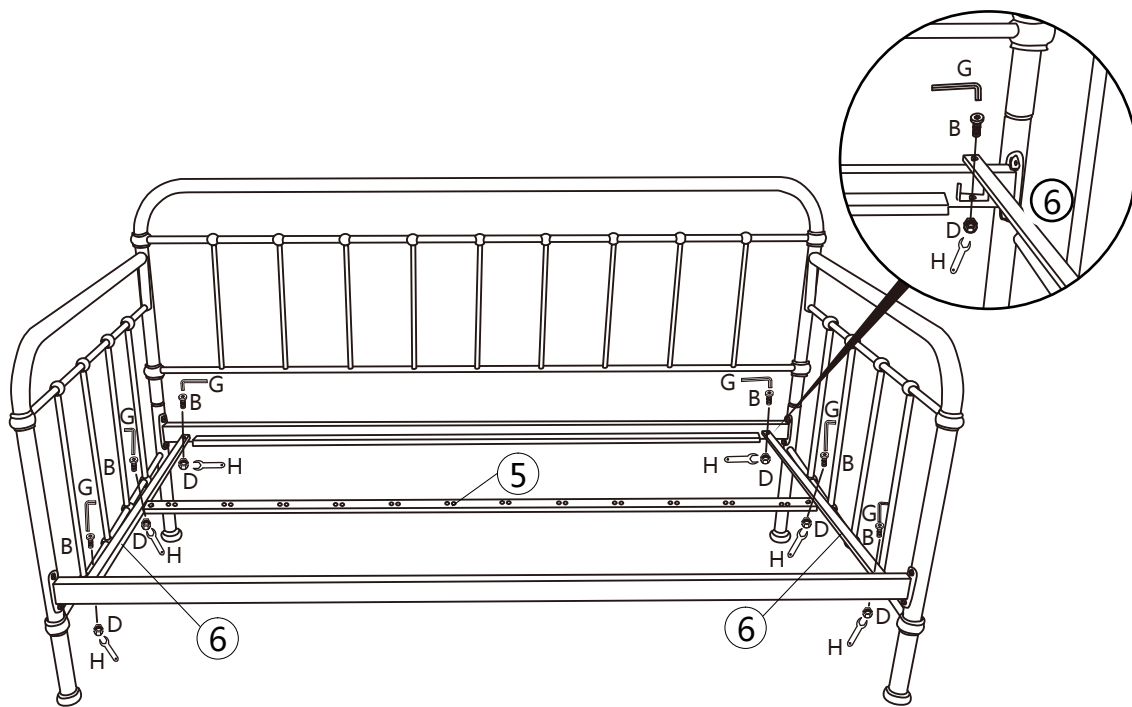
# STEP 2



### STEP 3



### STEP 4



# STEP 5

