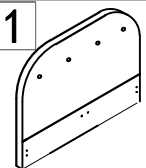
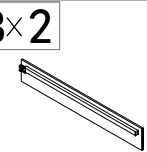
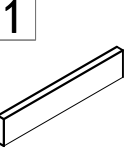
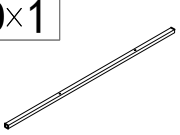
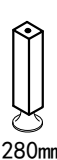
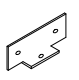


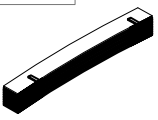



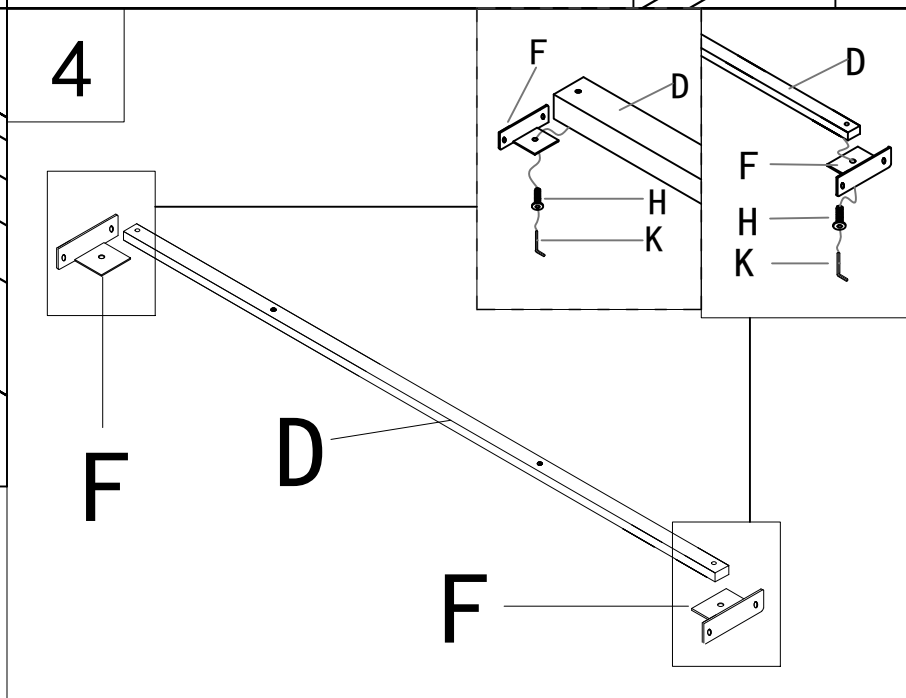
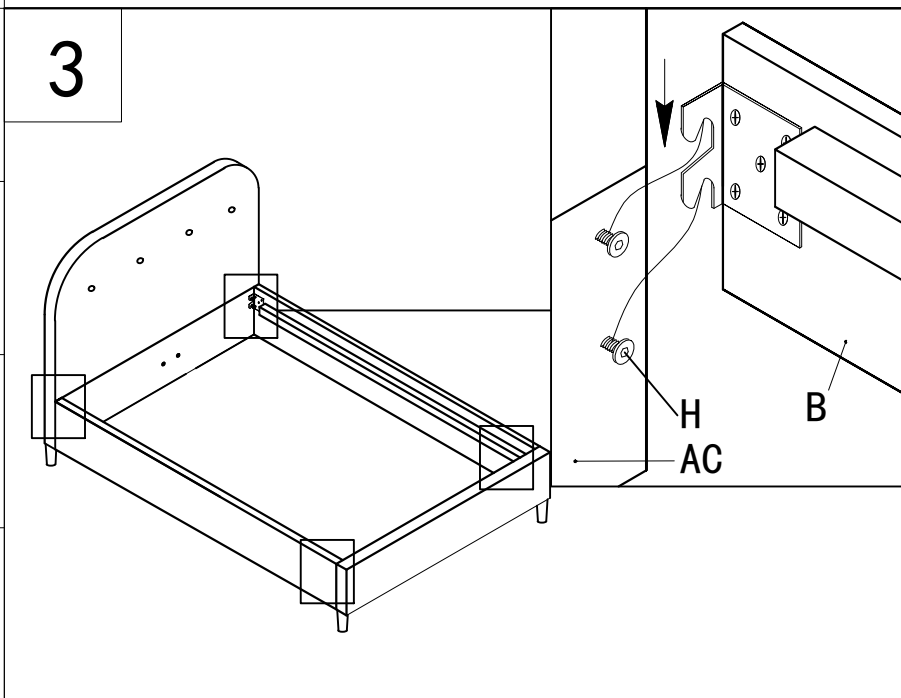
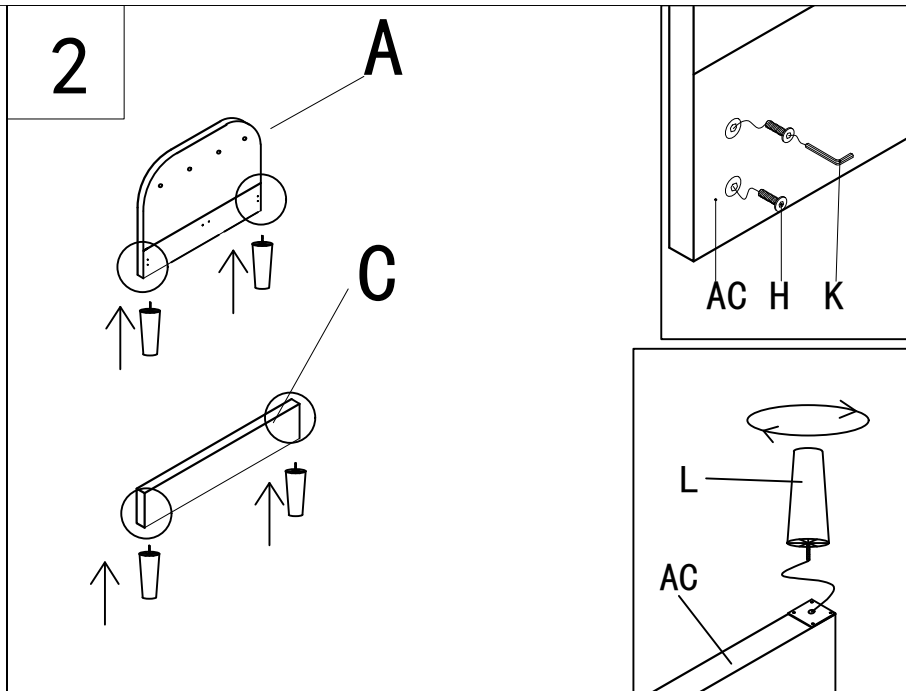
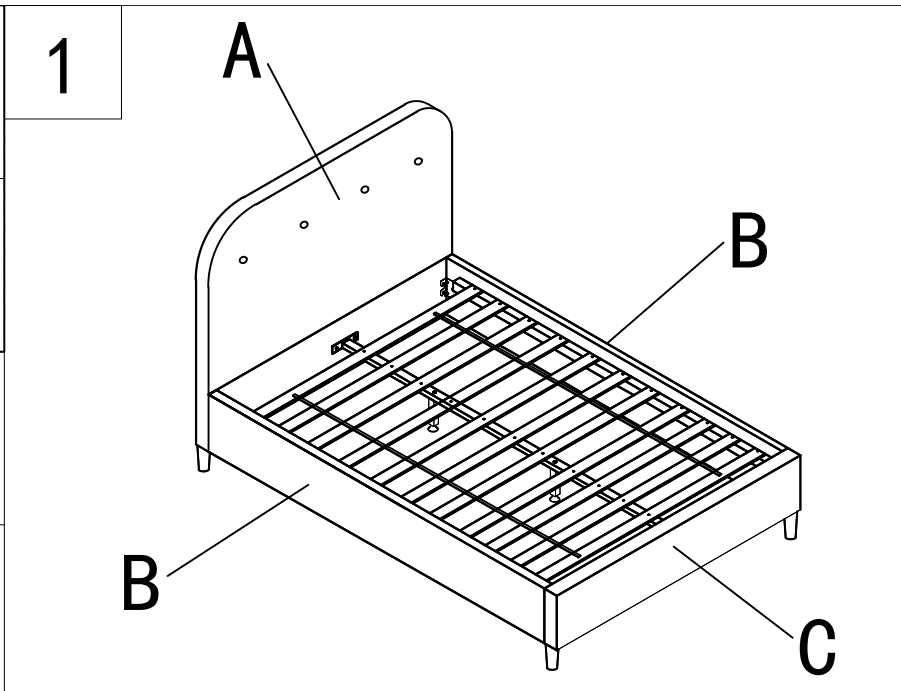


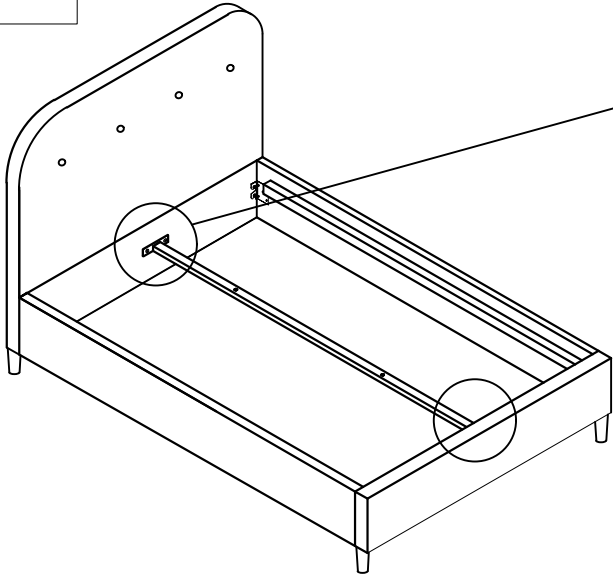
# Double

<b>A×1</b> 	<b>B×2</b> 
<b>C×1</b> 	<b>D×1</b> 
<b>E×2</b>  280mm	<b>F×2</b> 
<b>G×2</b>  M8×50	<b>H×14</b>  M8×25
<b>I×1</b> 	<b>J×33</b>  M4×30
<b>K×1</b> 	<b>L×4</b> 

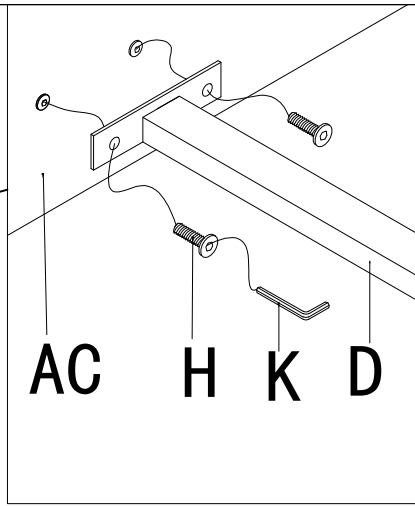


# Double

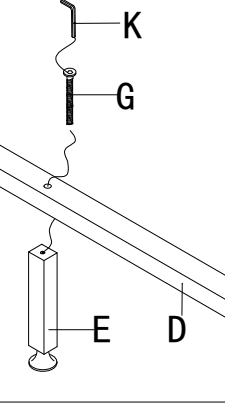
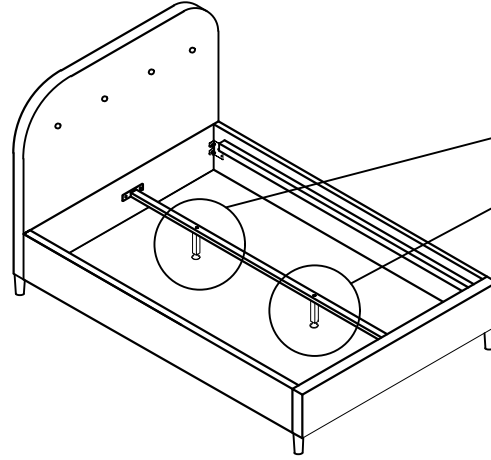
5



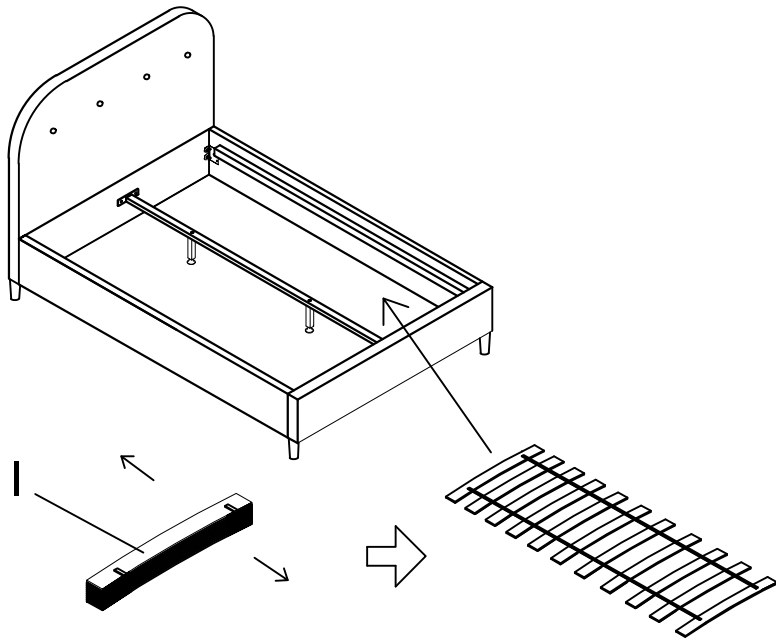
AC H K D



6



7



8

