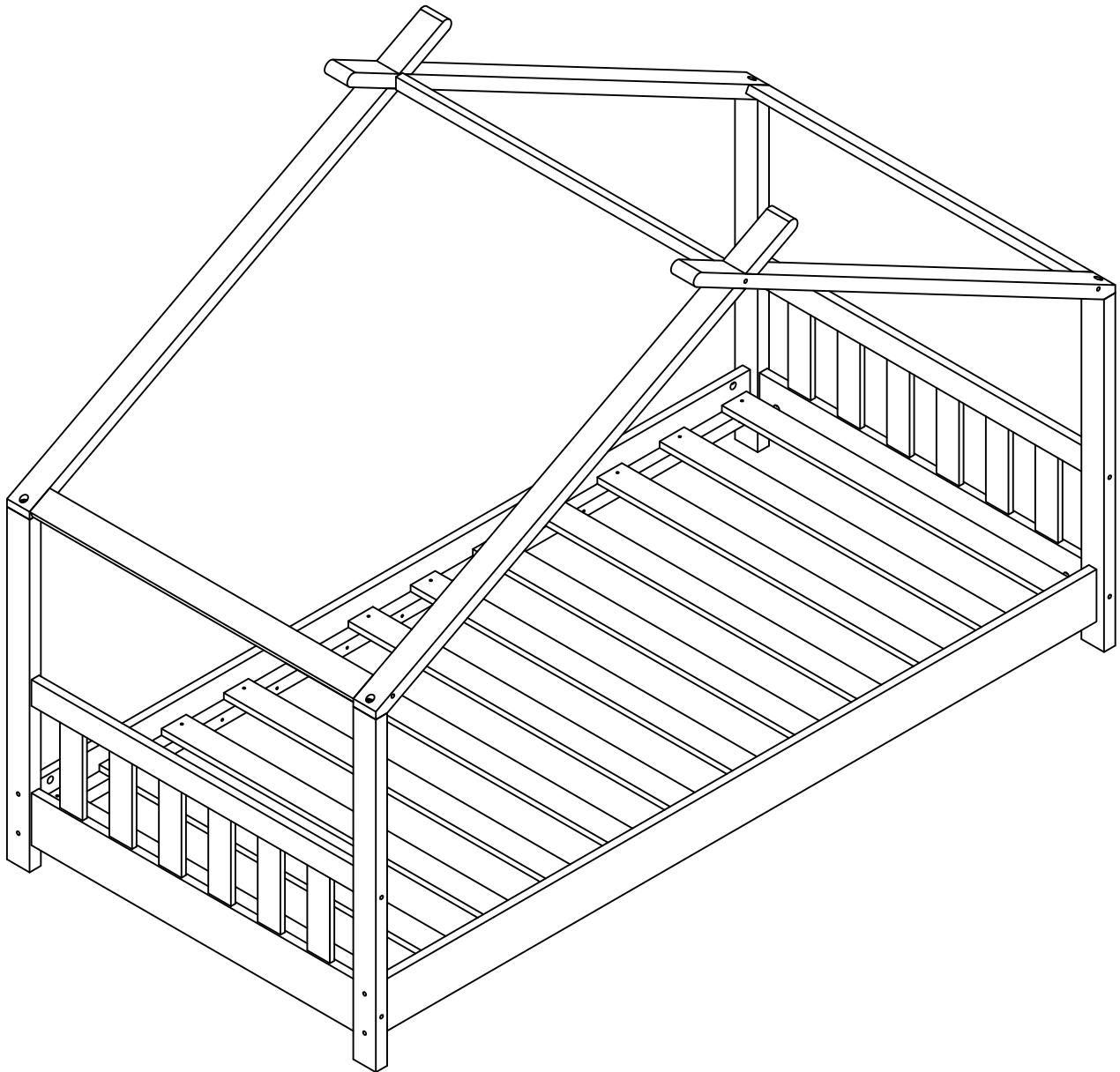
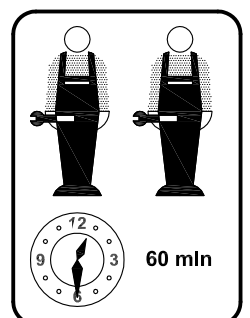


Bed

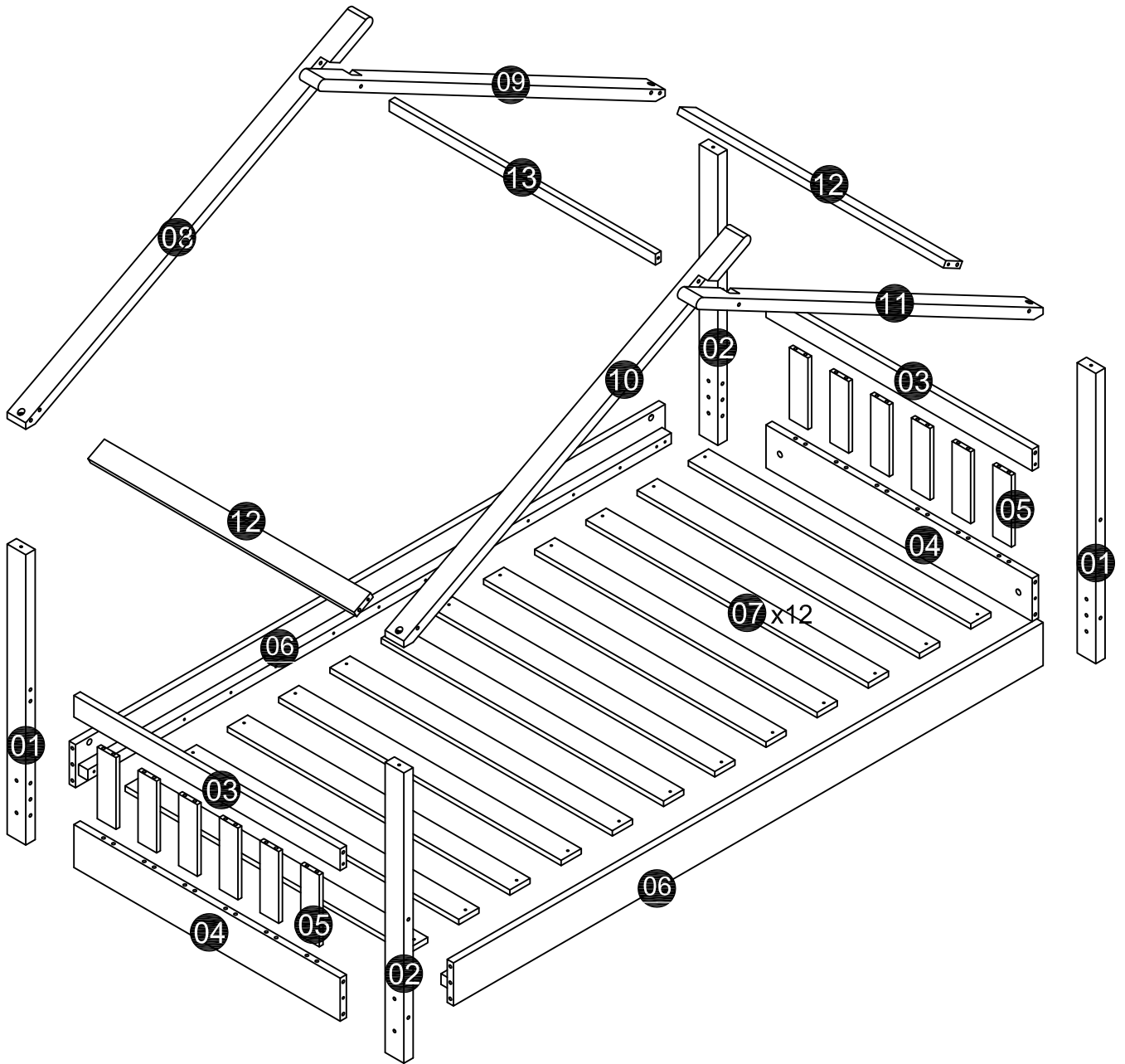


READ THE ASSEMBLY INSTRUCTIONS CAREFULLY. IDENTIFY THE ELEMENTS CONSTITUING YOUR PIECE OF FURNITURE. GROUP AND CHECK THE HARDWARE FITTINGS. GET THE TOOLS NEEDED. CLEAR SPACE TO WORK. PROCEED TO ASSEMBLE

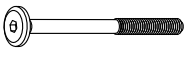

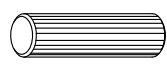
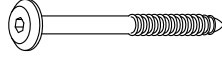

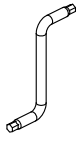
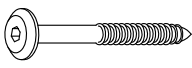
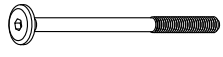
NEVER FORCE THE FITTINGS. TIGHTEN THE SCREW AFTER USING FOR SOMETIME. KEEP YOUR ASSEMBLY INSTRUCTIONS, IT COULD HELP FOR BETTER COMMUNICATION WITH YOUR STORE. IN THE EVENT OF QUERY.



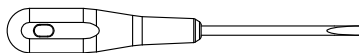
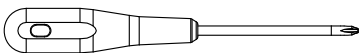
EXPLODED VIEW



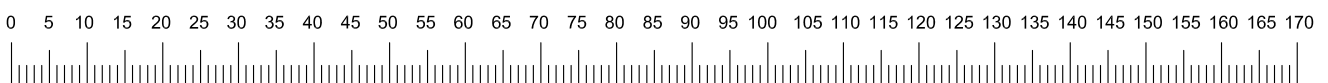
HARDWARE

<p>A x8</p>  <p>M6 x80mm</p>	<p>B x12</p> 	<p>C x68</p>  <p>Ø8 x30mm</p>	<p>D x10</p>  <p>Ø6 x100mm</p>	<p>E x24</p>  <p>Ø4 x30mm</p>
<p>F x1</p> 	<p>G x4</p>  <p>Ø6 x80mm</p>	<p>H x4</p>  <p>M6 x100mm</p>		

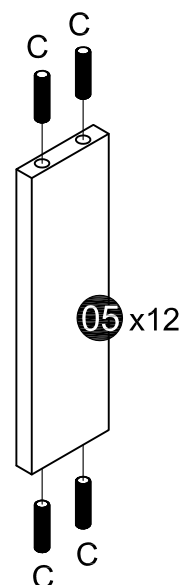
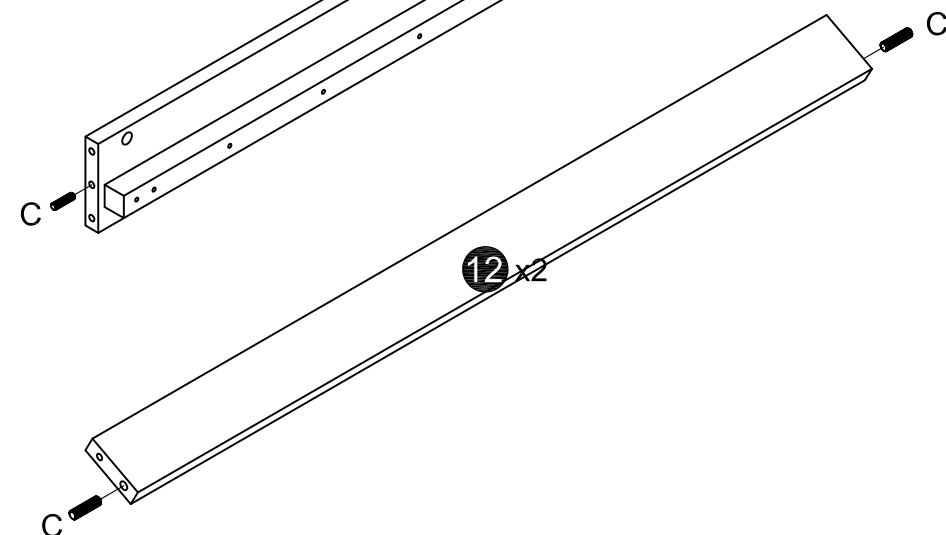
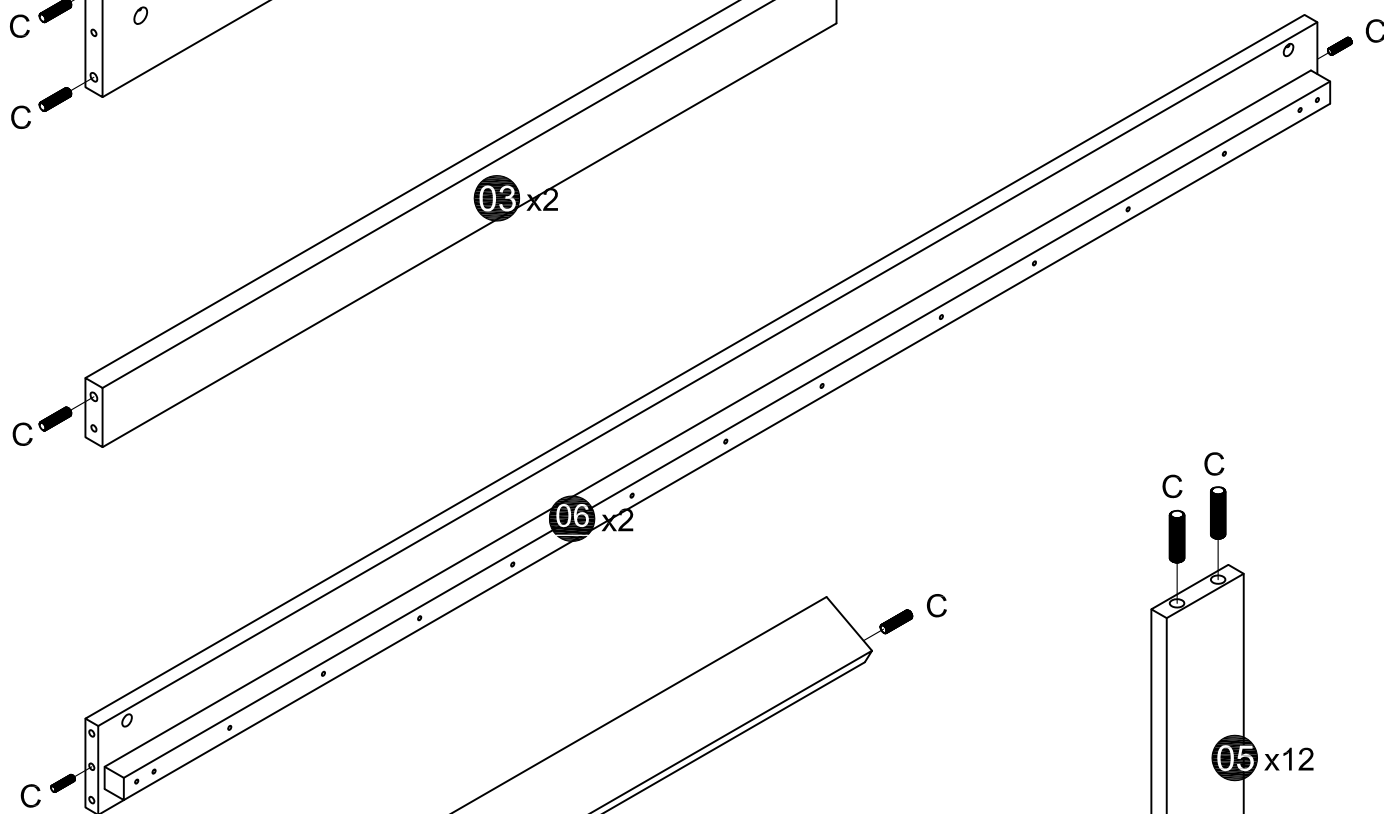
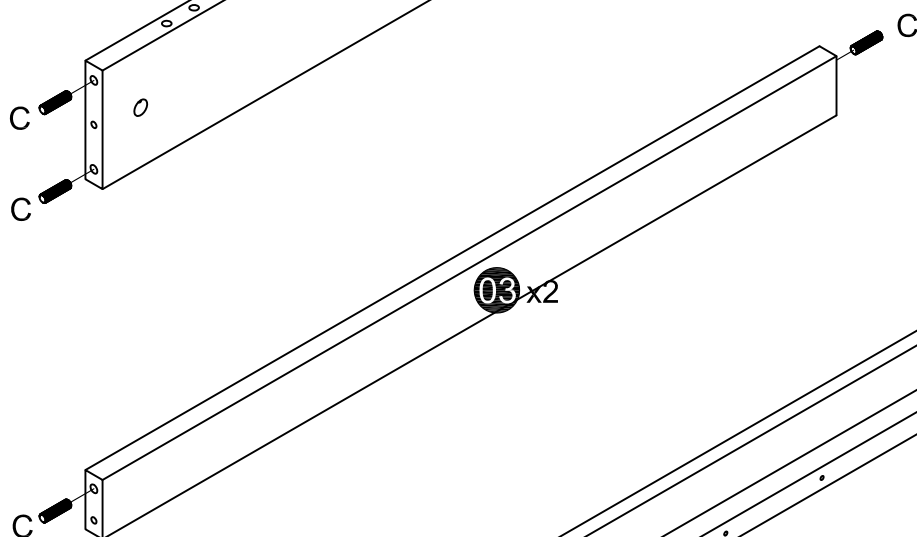
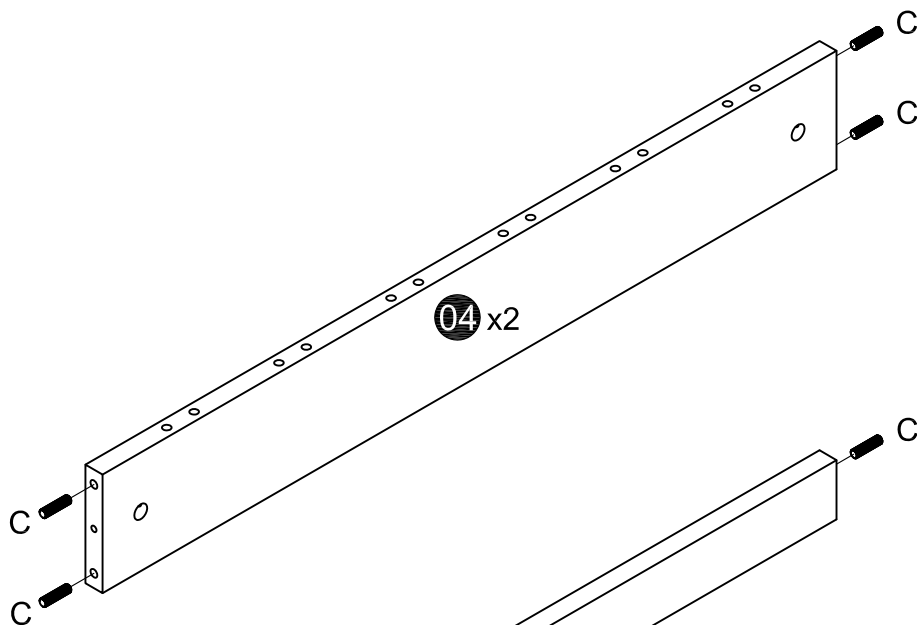
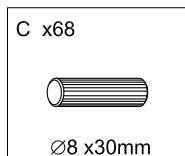
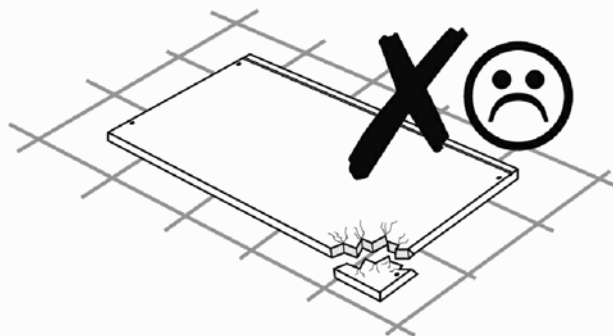
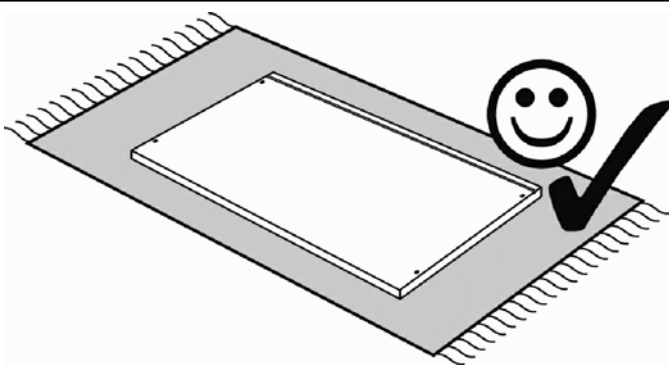
TOOLS



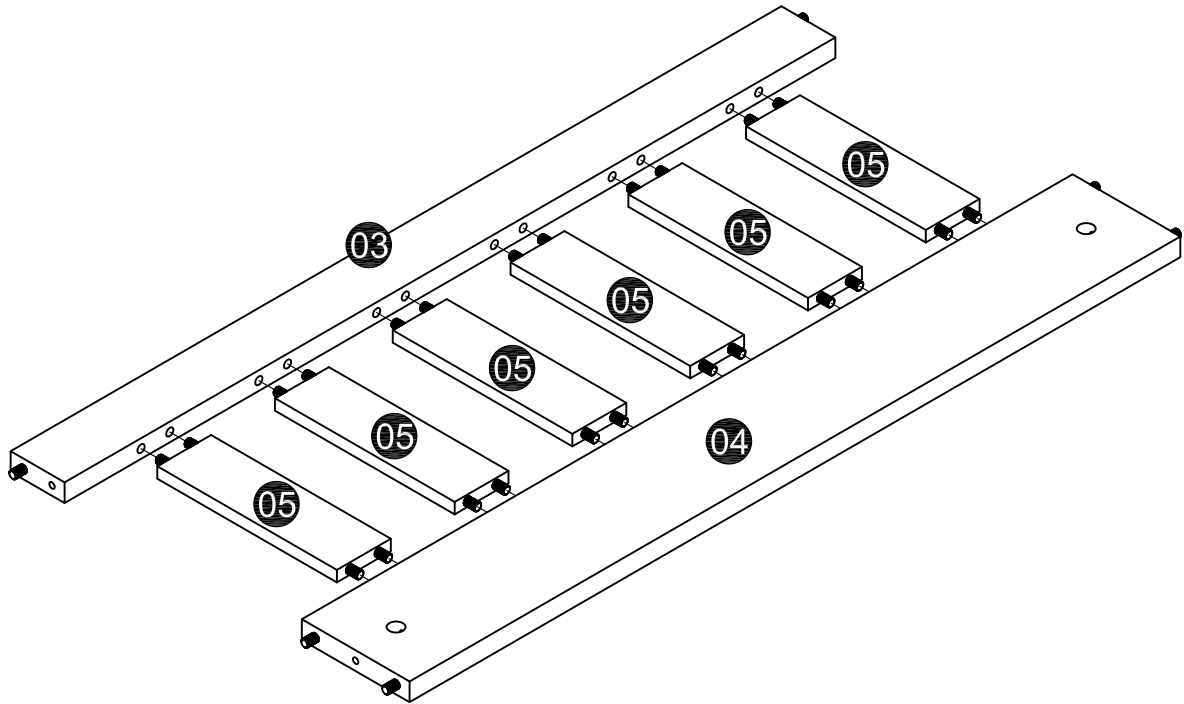
Ruler - Use this ruler to help correctly identify the screws



01


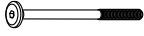
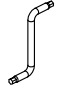



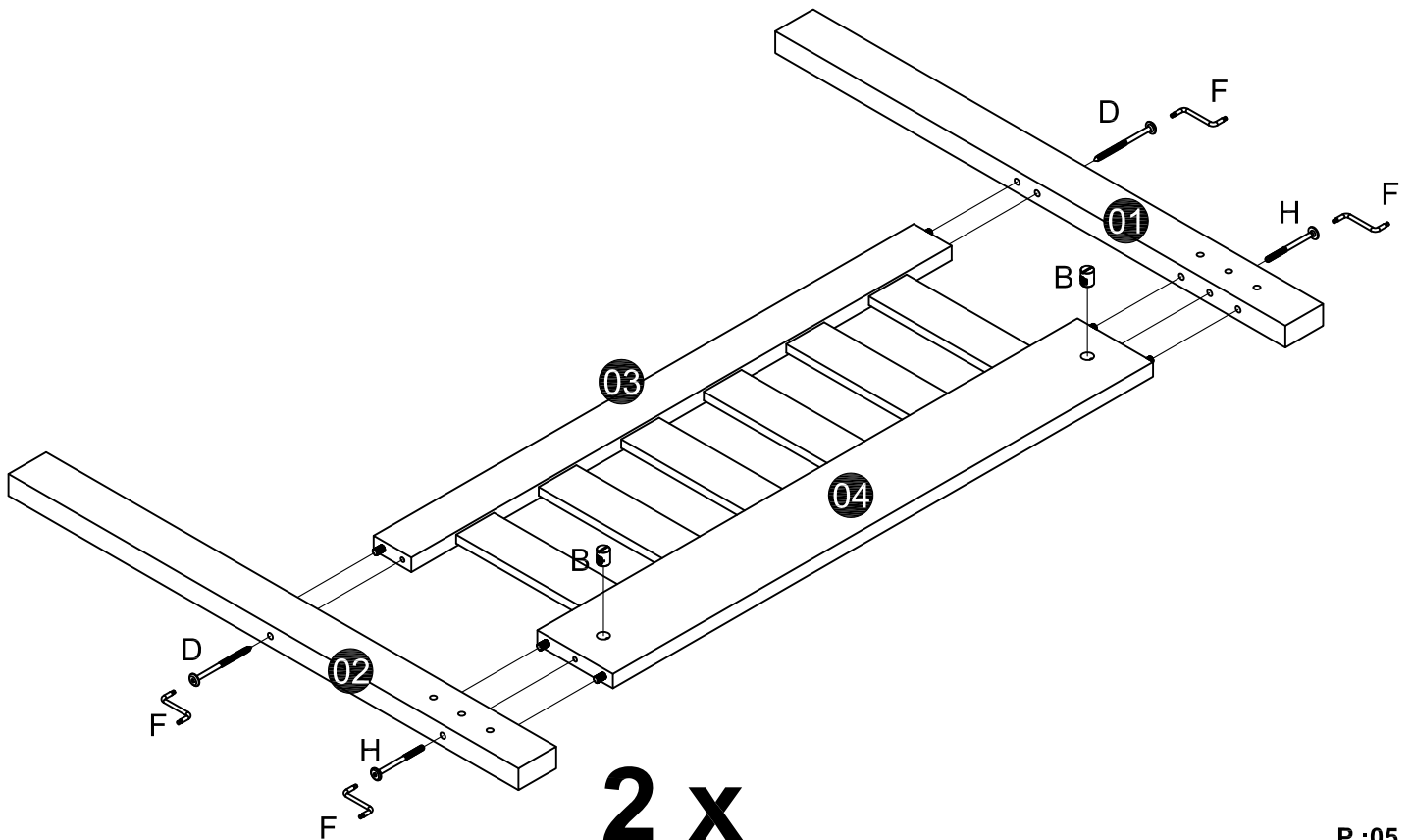
02



2 x

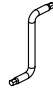
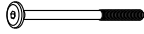

03

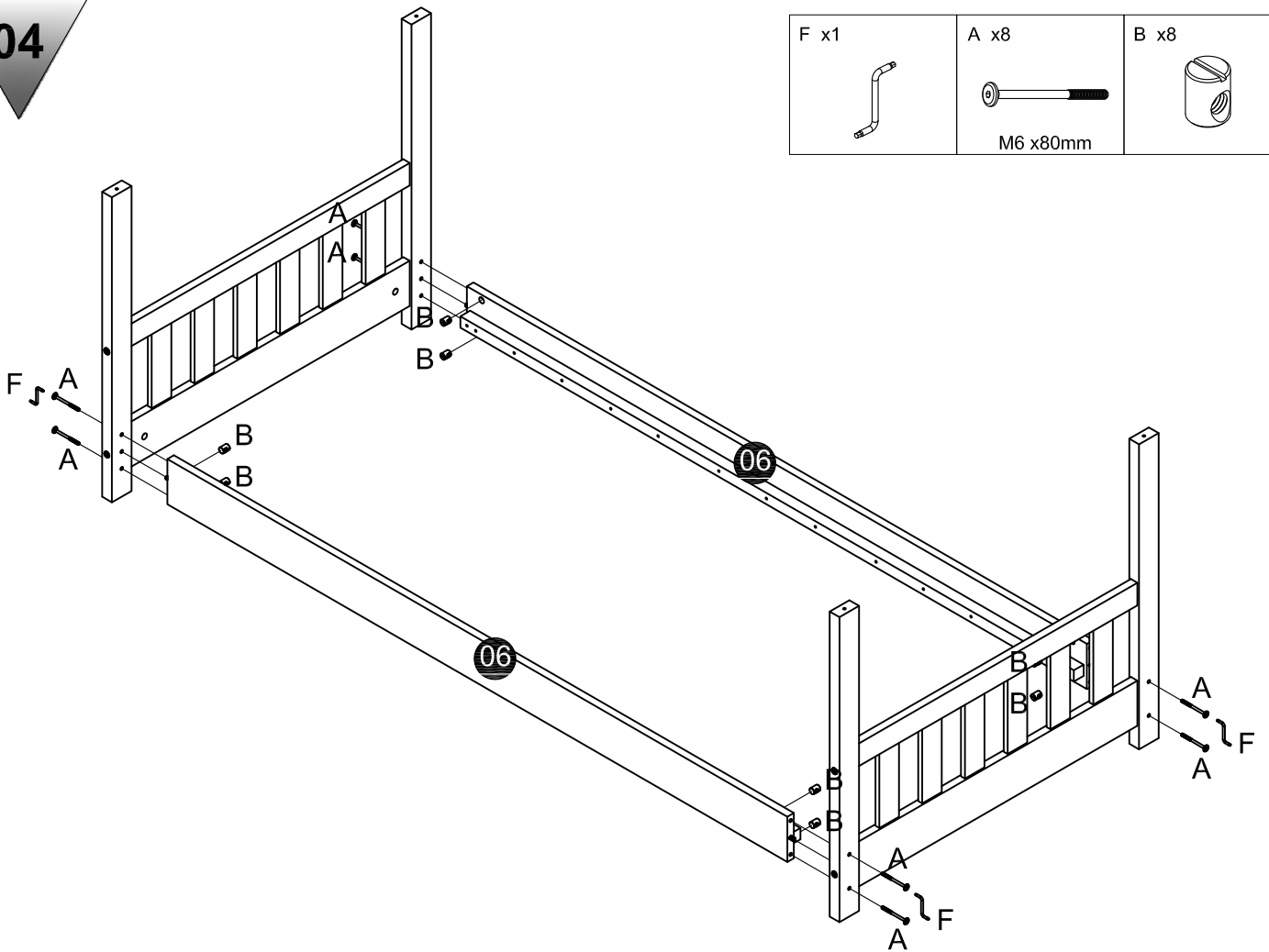
B x4 	H x4  M6 x100mm	F x1 	D x4  Ø6 x100mm
---	--	---	--




2 x

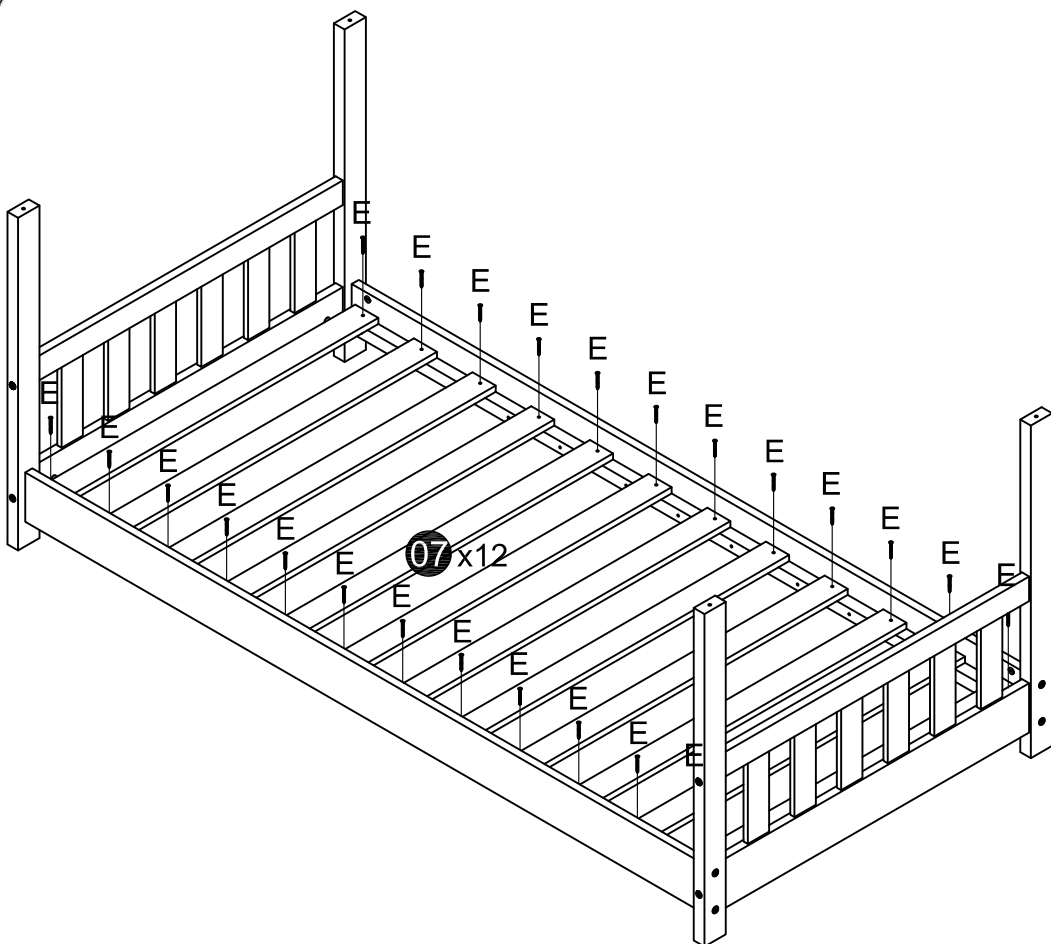
04

F x1	A x8	B x8
	 M6 x80mm	

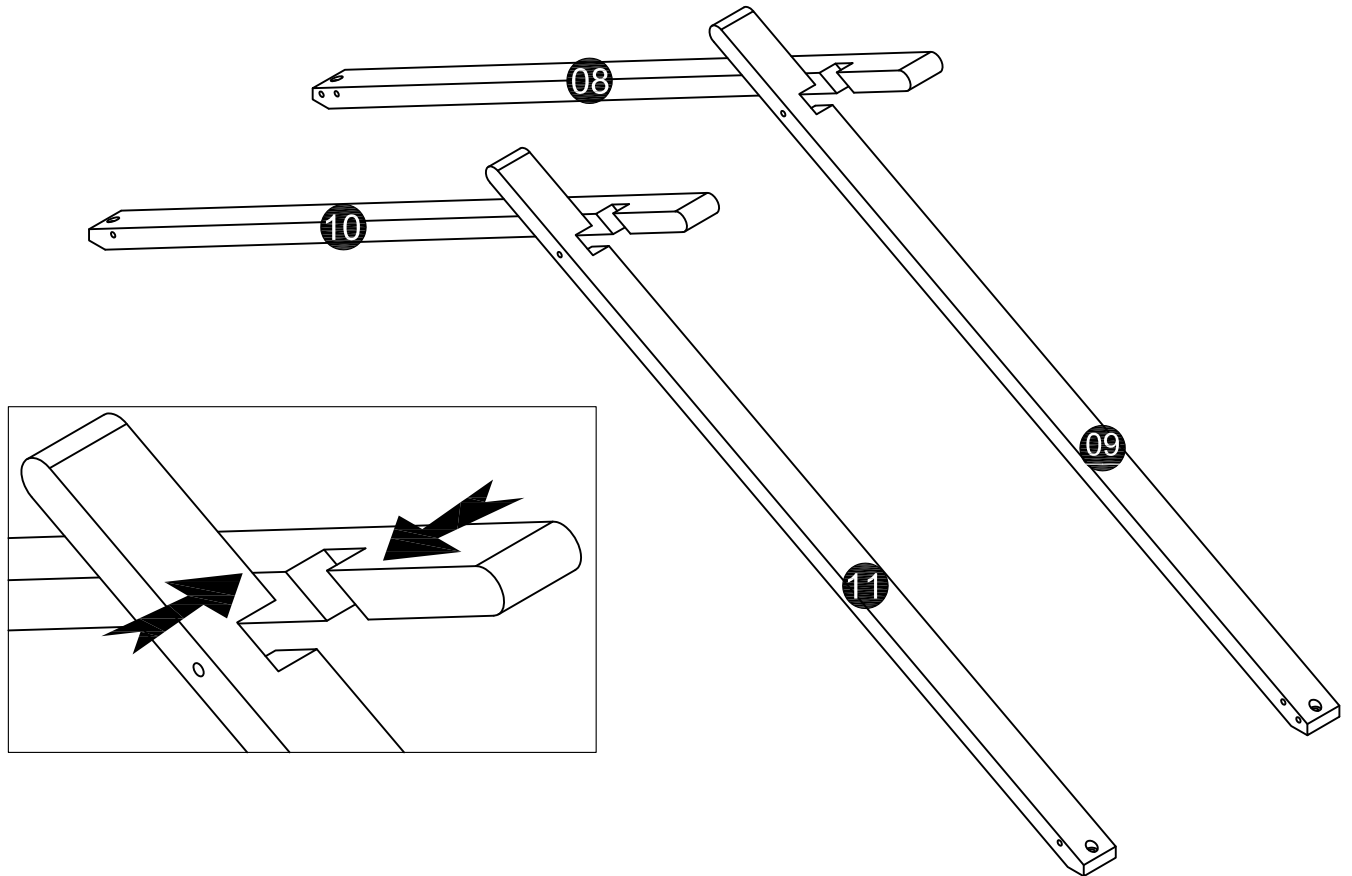


05

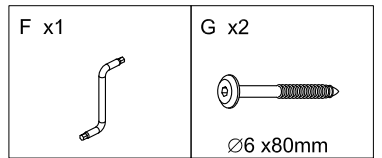
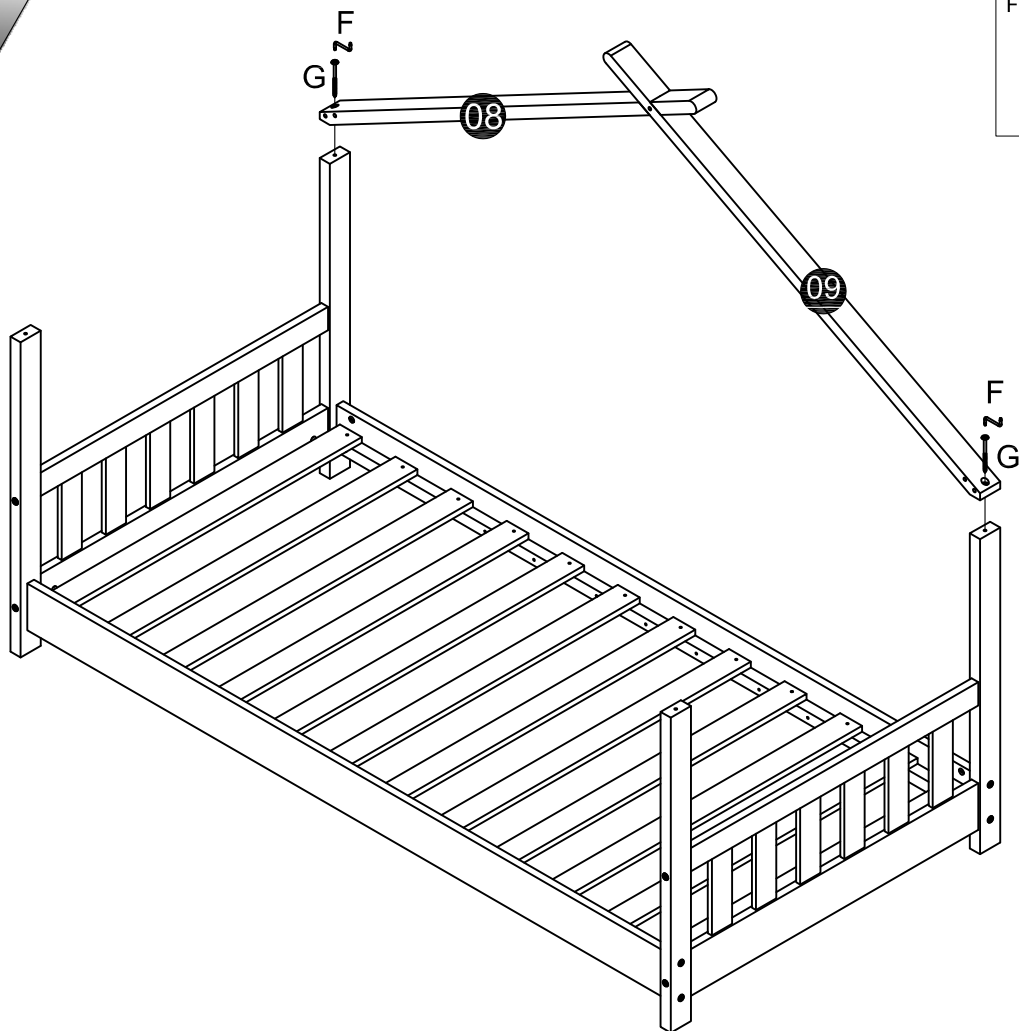
E x24

Ø4 x30mm



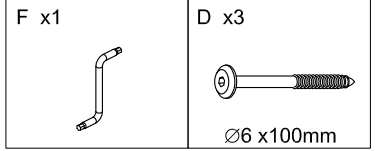
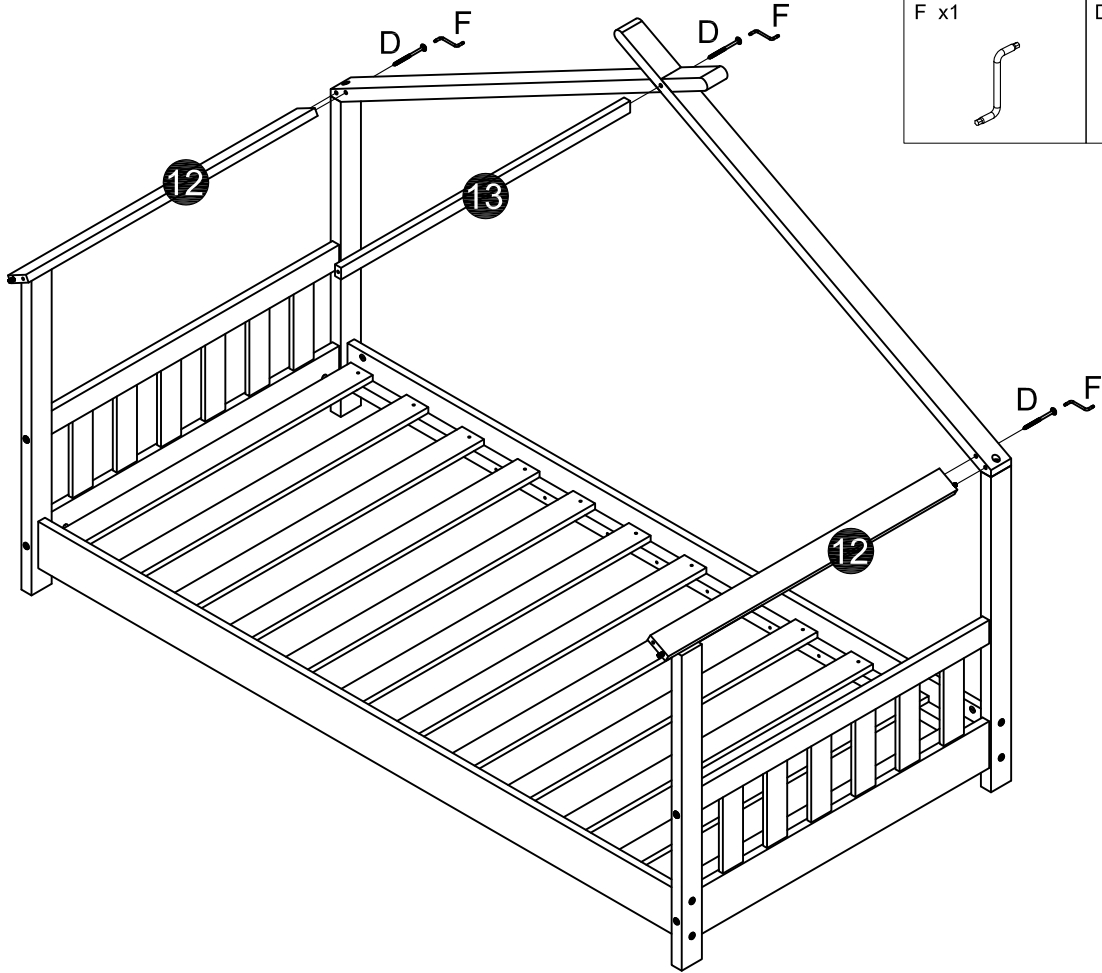
06



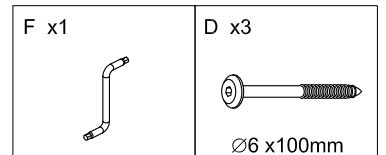
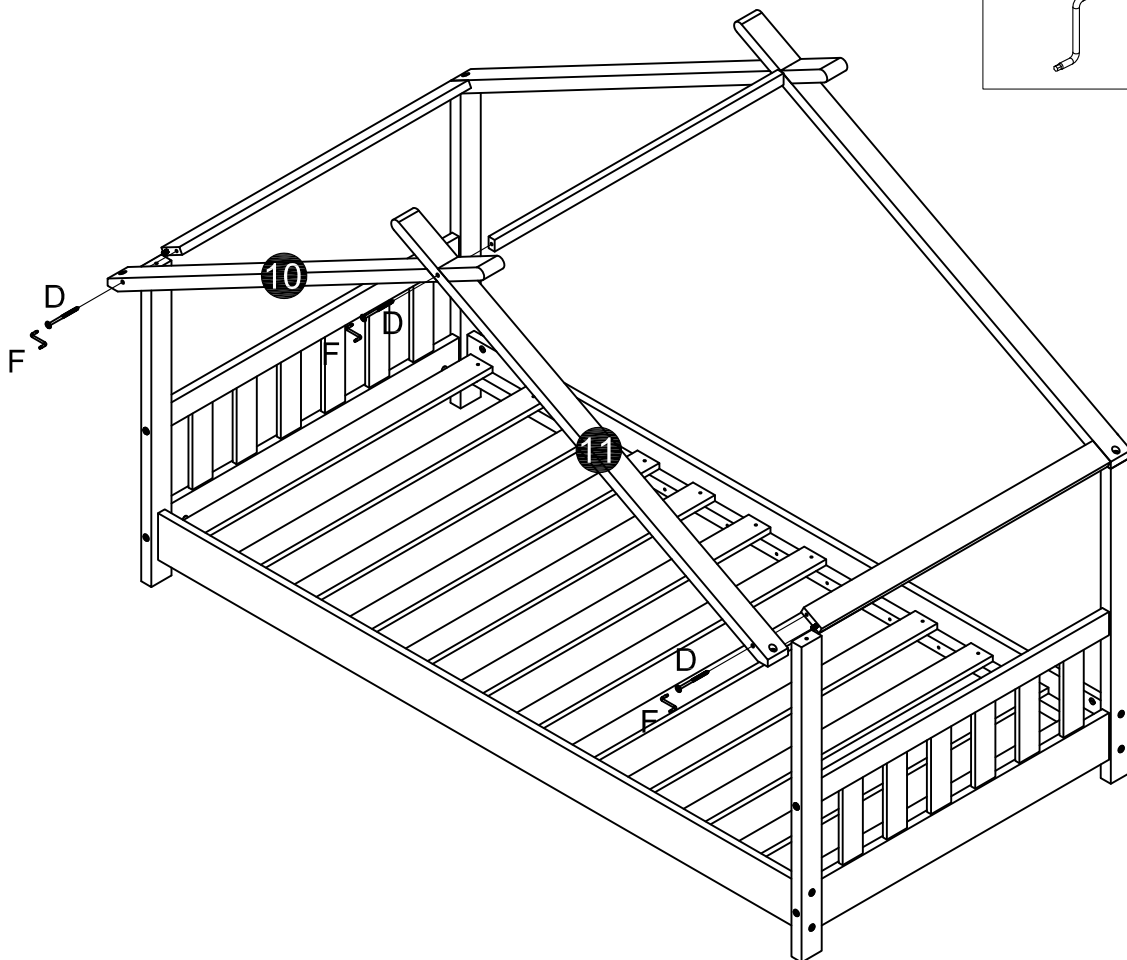
07



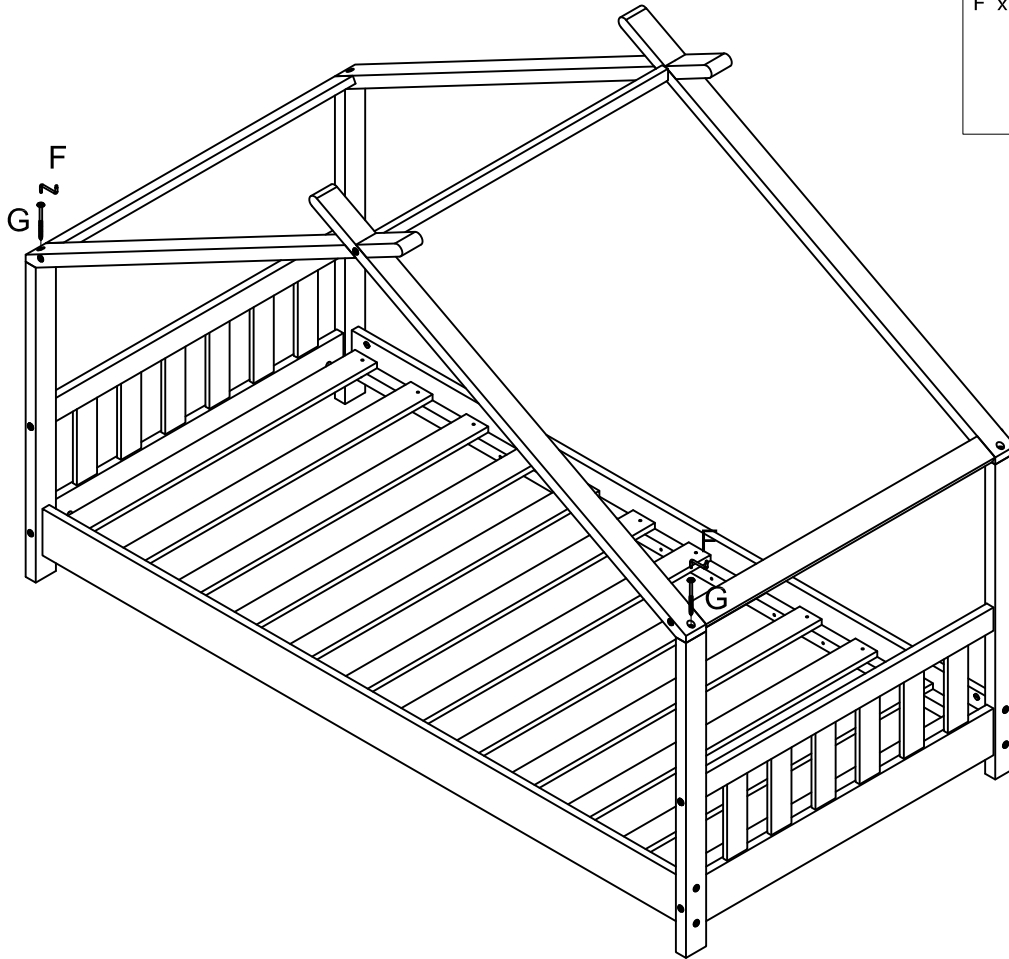
08

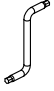
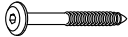


09



10



F x1	G x2
	
	Ø6 x80mm

11

