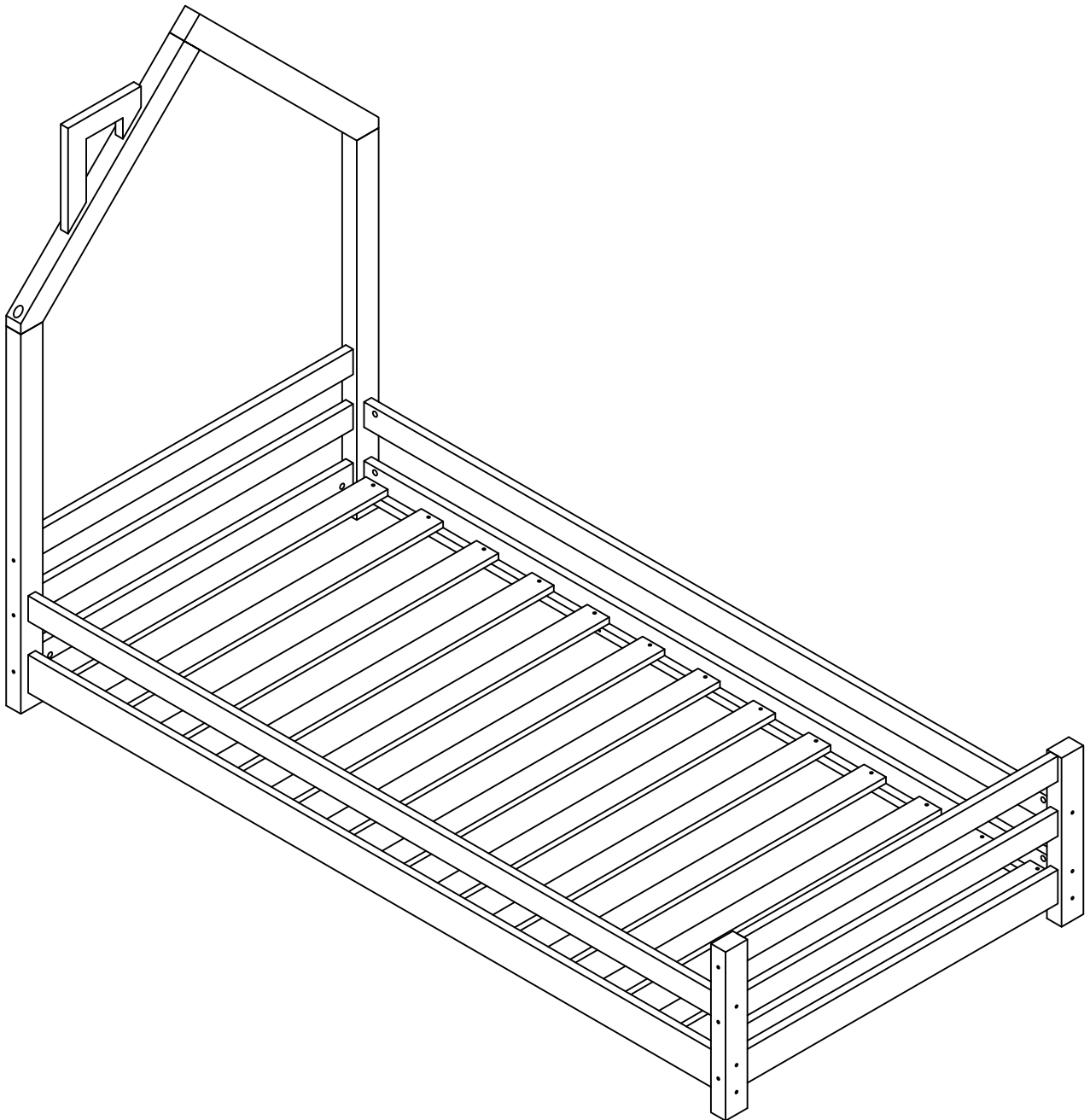
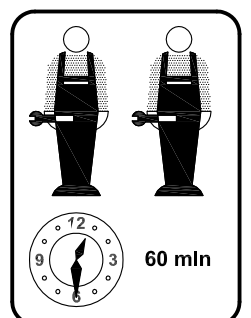


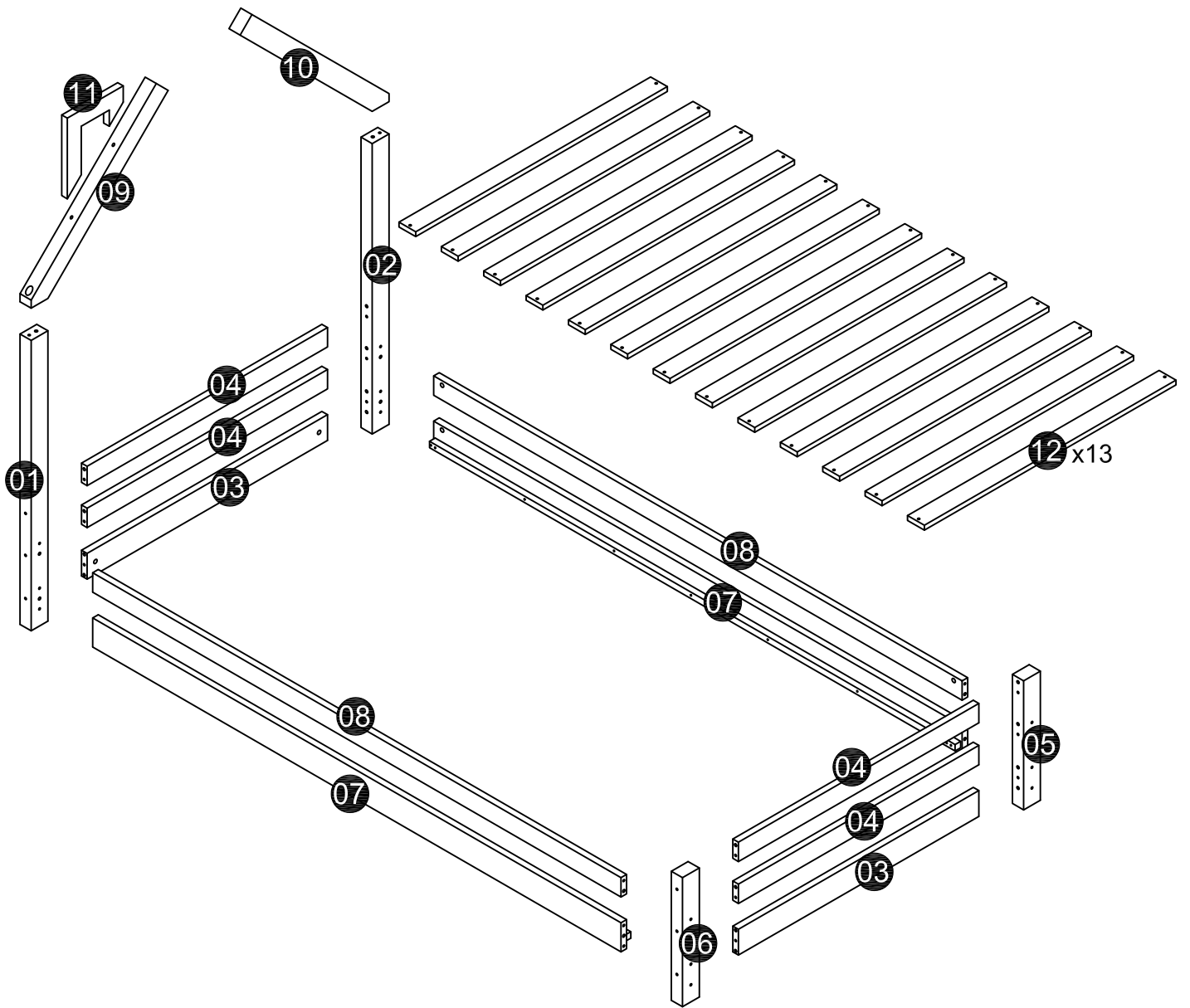
MODEL: JUNI KIDS SINGLE BED

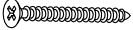
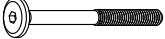


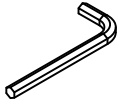
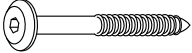

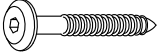


READ THE ASSEMBLY INSTRUCTIONS CAREFULLY. IDENTIFY THE ELEMENTS CONSTITUING YOUR PIECE OF FURNITURE. GROUP AND CHECK THE HARDWARE FITTINGS. GET THE TOOLS NEEDED. CLEAR SPACE TO WORK. PROCEED TO ASSEMBLE

NEVER FORCE THE FITTINGS. TIGHTEN THE SCREW AFTER USING FOR SOMETIME. KEEP YOUR ASSEMBLY INSTRUCTIONS, IT COULD HELP FOR BETTER COMMUNICATION WITH YOUR STORE. IN THE EVENT OF QUERY.

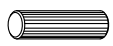




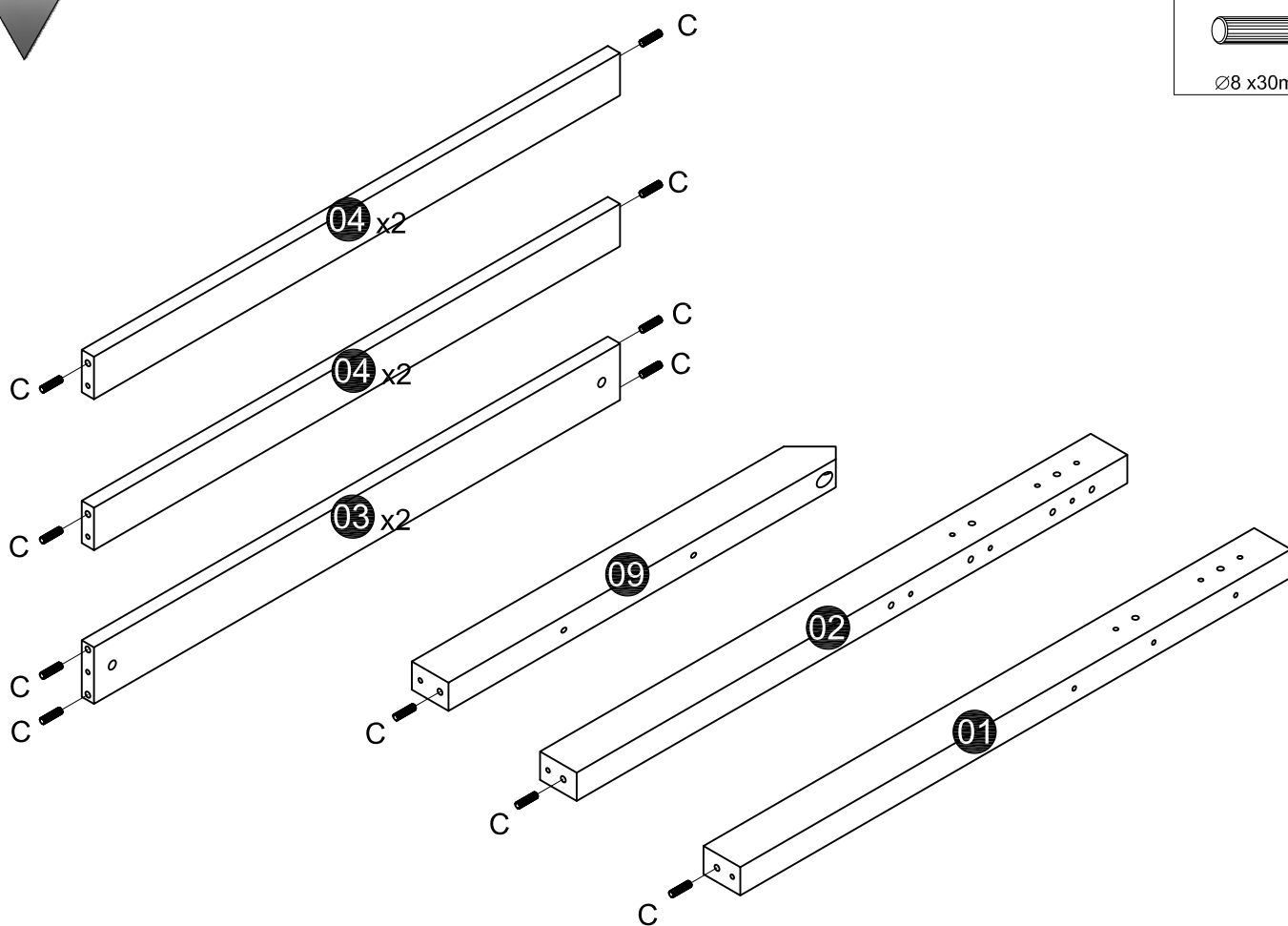
<p>A x26</p>  <p>Ø4 x30mm</p>	<p>B x4</p>  <p>M6 x100mm</p>	<p>C x27</p>  <p>Ø8 x30mm</p>	<p>D x16</p> 	<p>E x1</p> 
<p>F x11</p>  <p>Ø6 x100mm</p>	<p>G x12</p>  <p>M6 x80mm</p>	<p>H x2</p>  <p>Ø6 x80mm</p>		

01

C x19

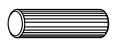


Ø8 x30mm

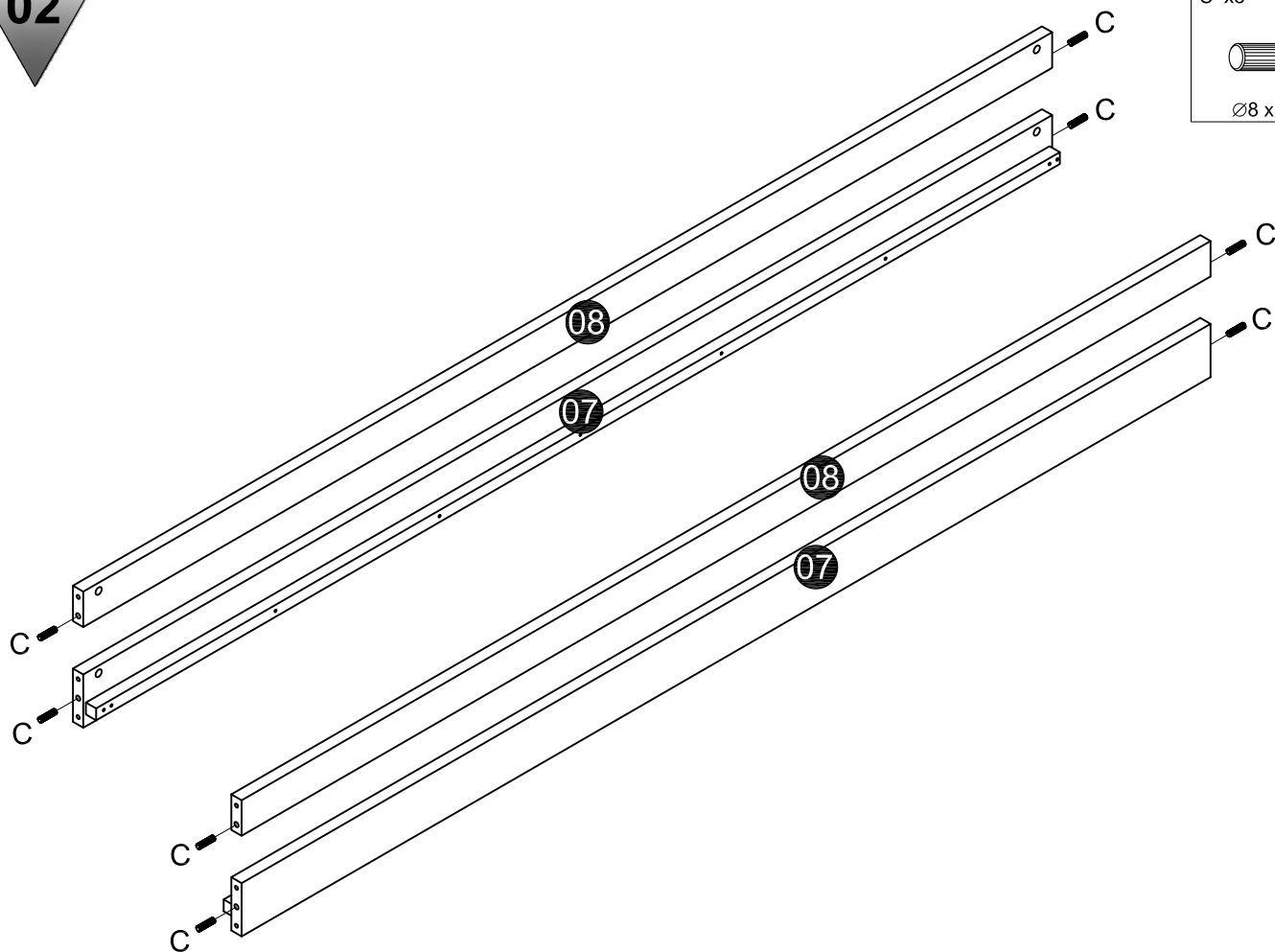


02




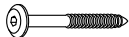
C x8

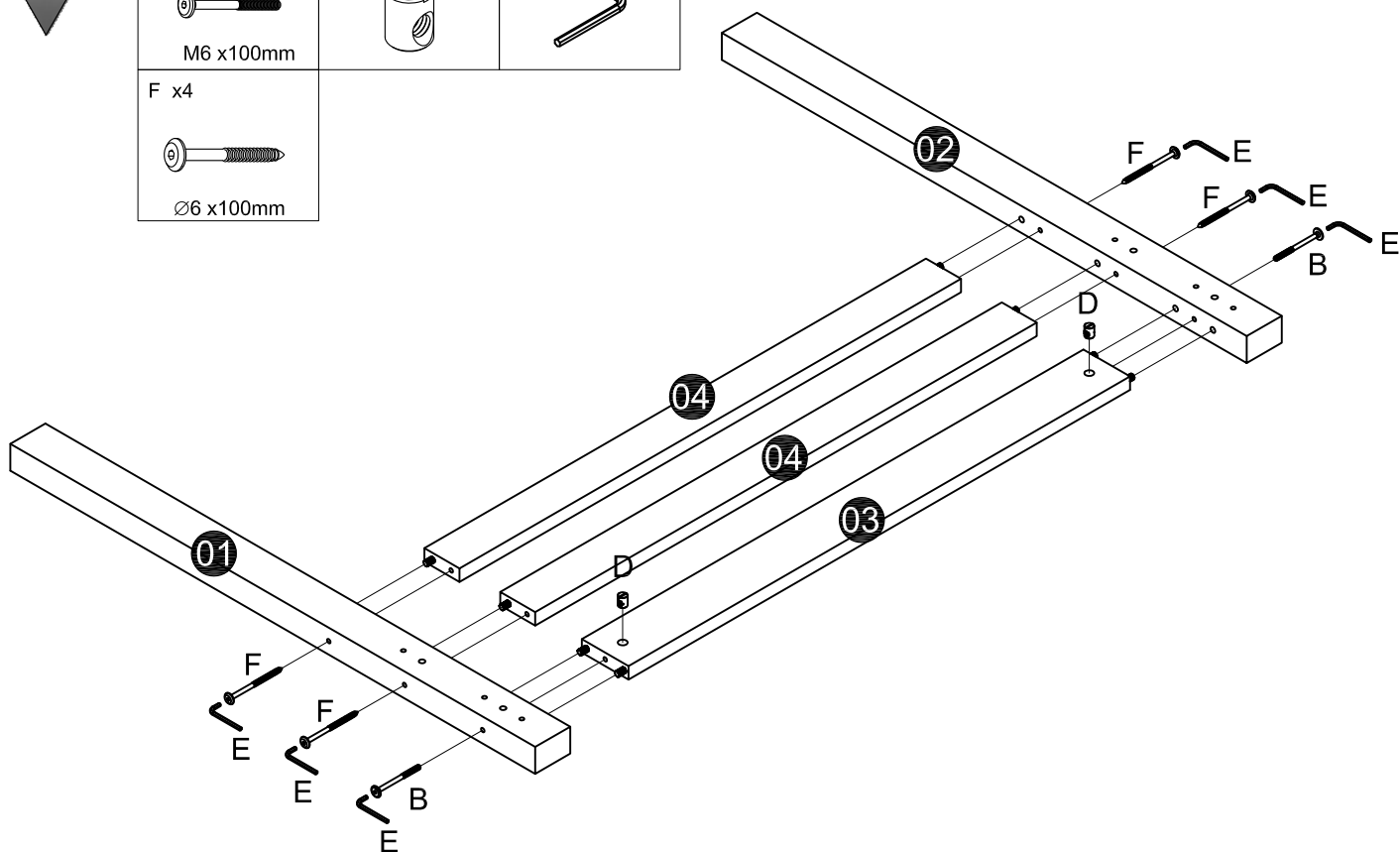


Ø8 x30mm

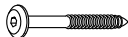



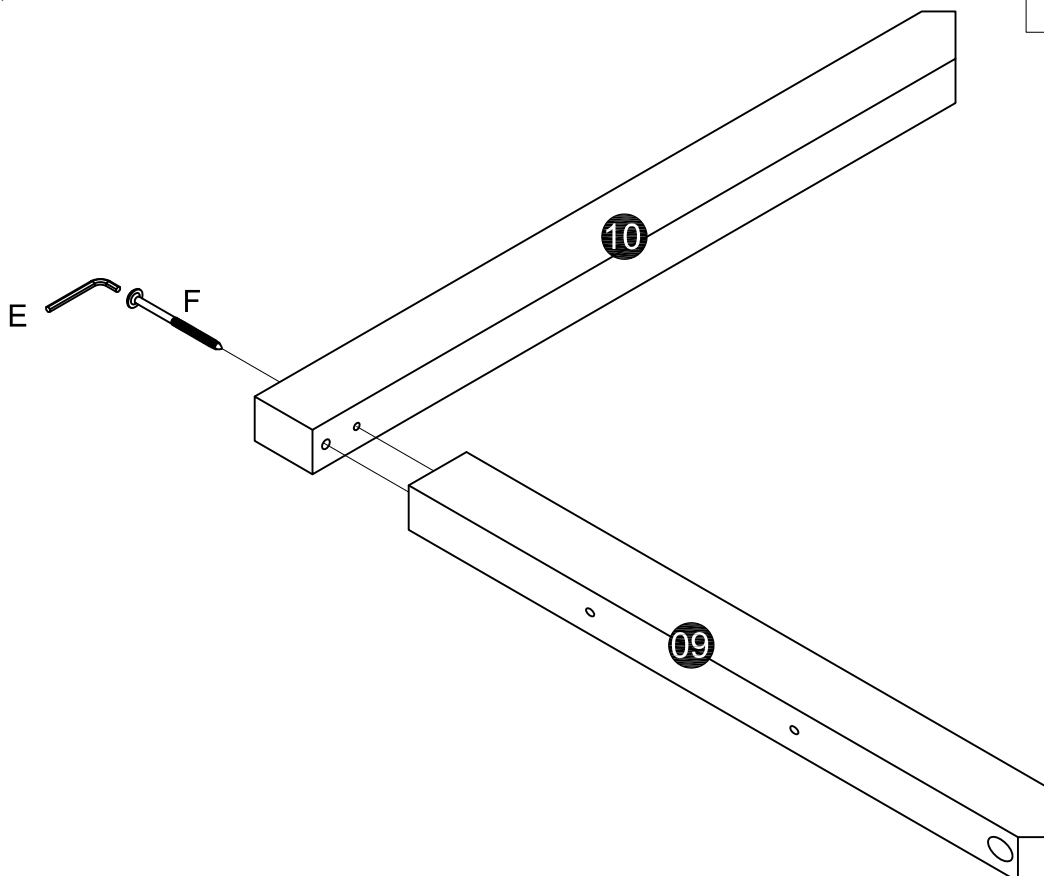
03

B x2  M6 x100mm	D x2 	E x1 
F x4  Ø6 x100mm		





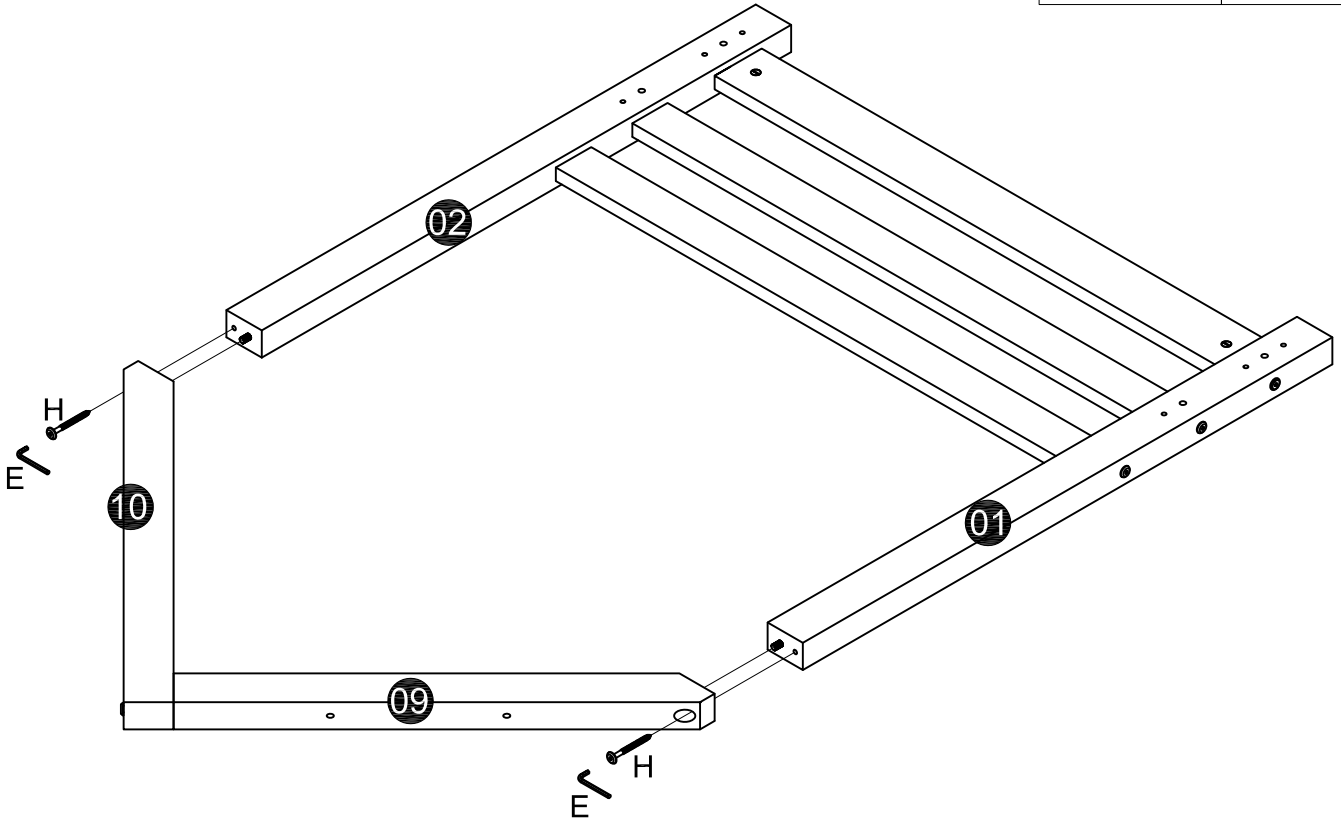
04

F x1  Ø6 x100mm	E x1 
--	---





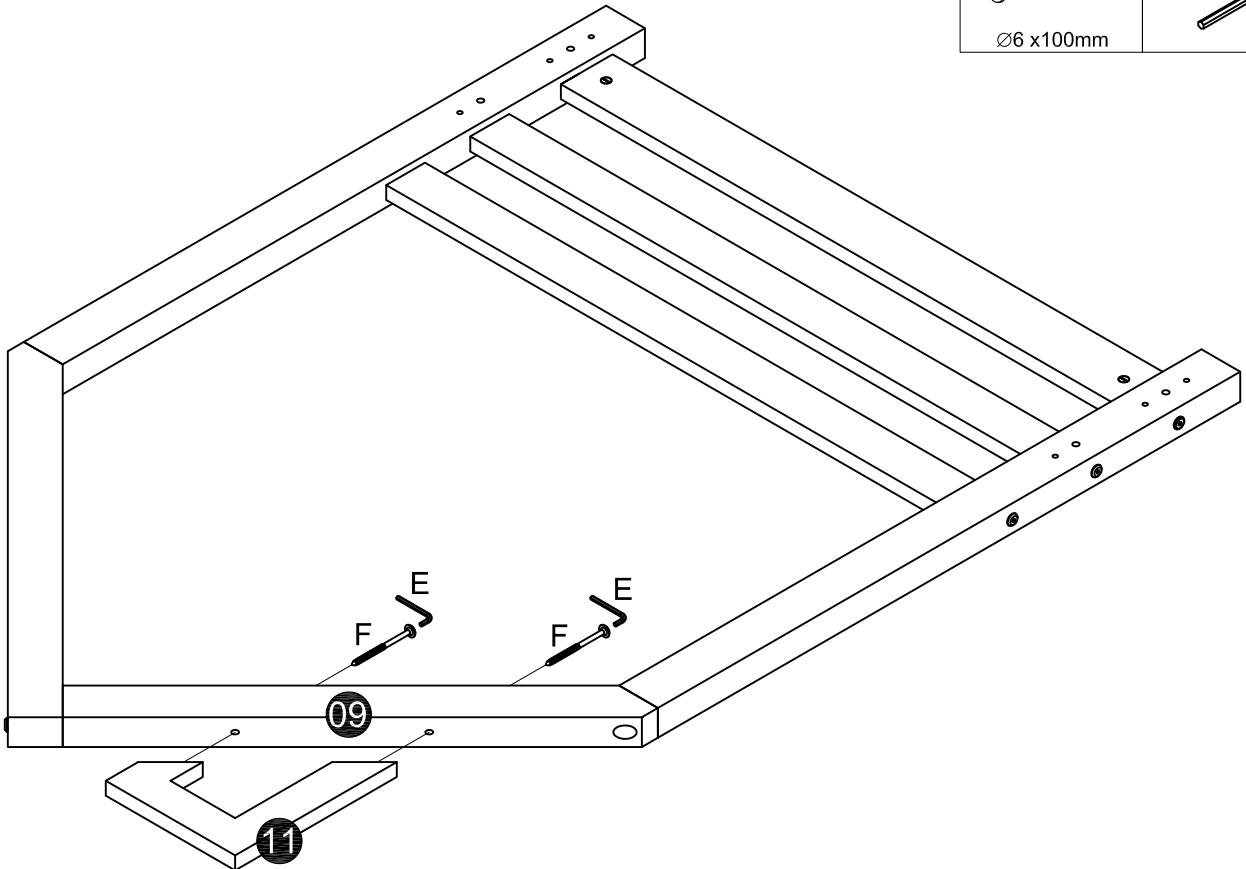
05

H x2	E x1
	
Ø6 x80mm	




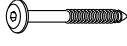


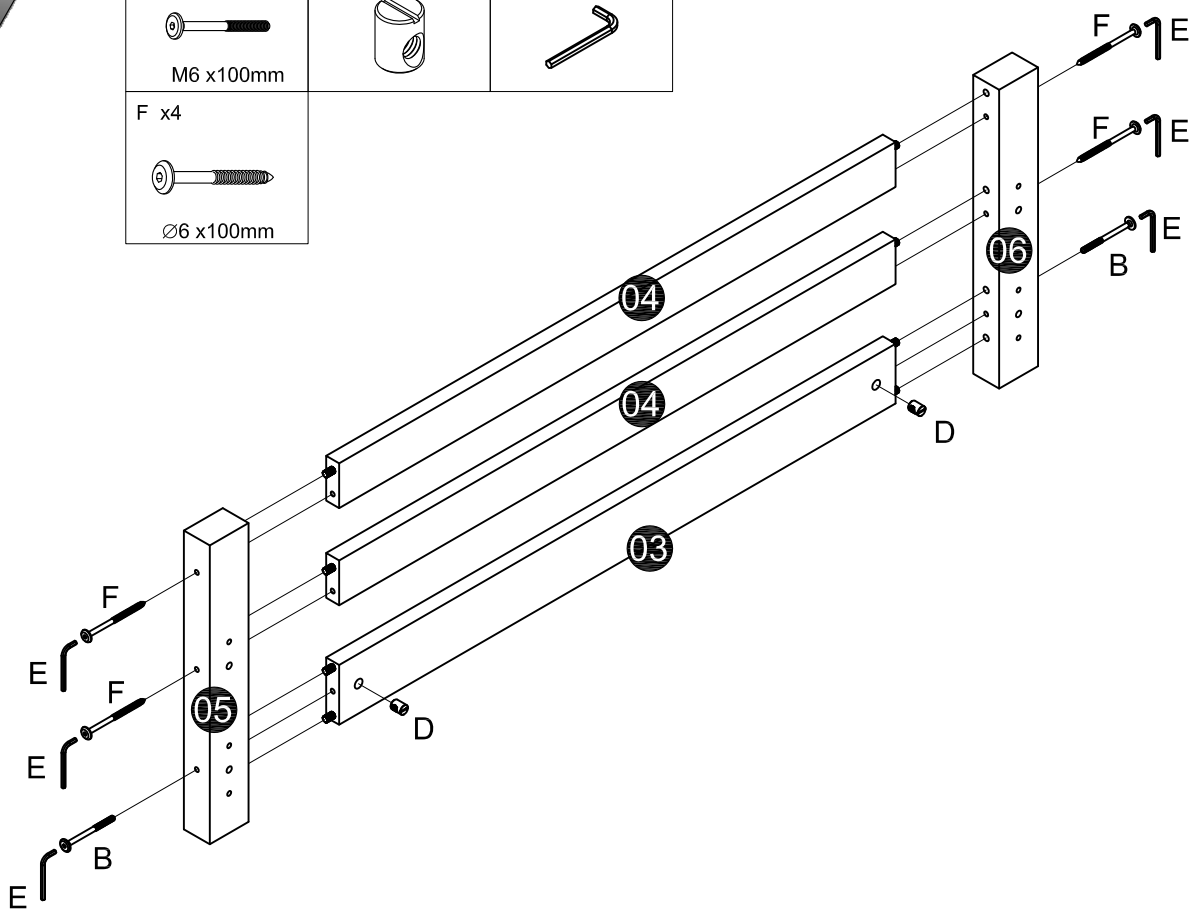
06

F x2	E x1
	
Ø6 x100mm	






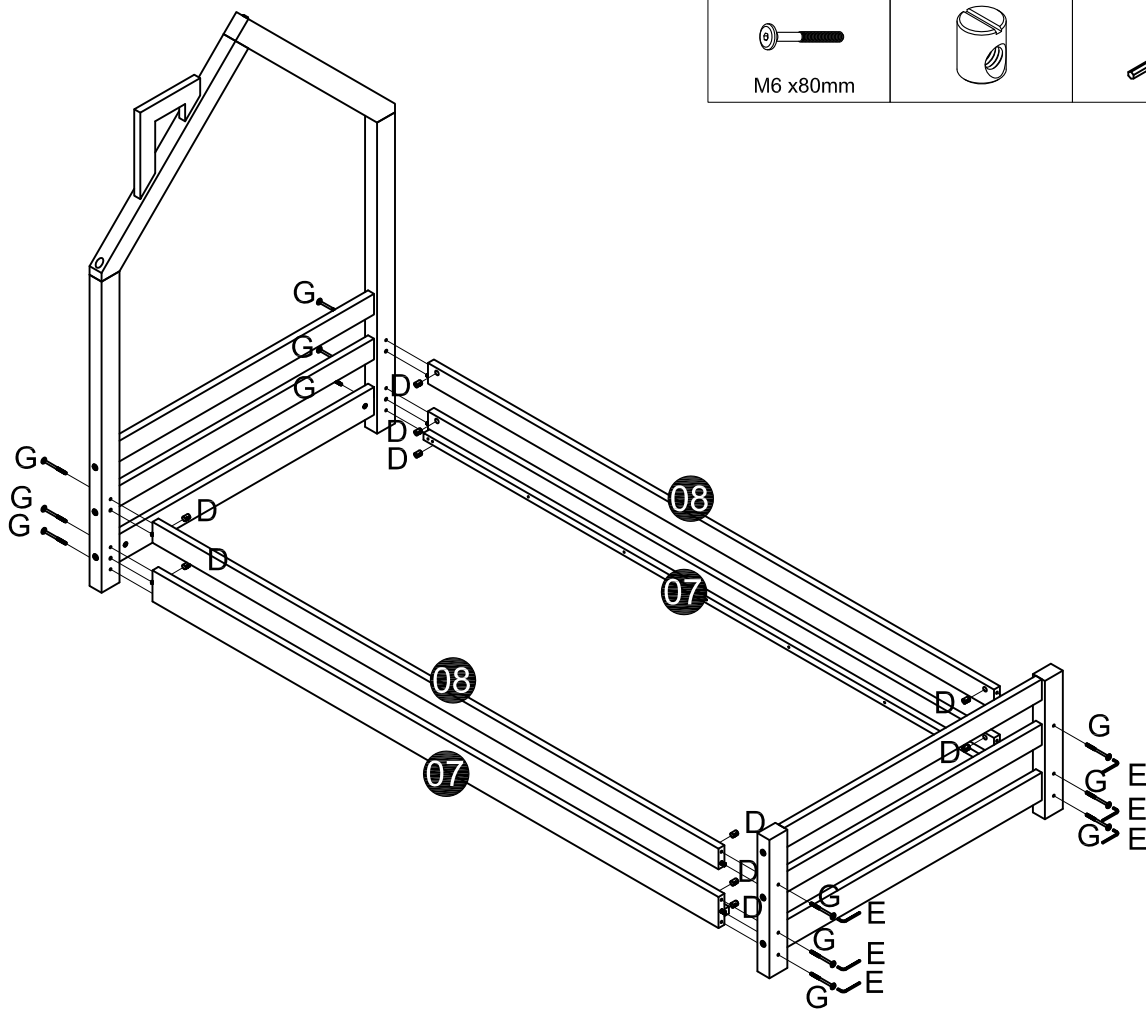
07

B x2 M6 x100mm 	D x2 	E x1 
F x4 Ø6 x100mm 		




08

G x12 M6 x80mm 	D x12 	E x1 
--	--	---



A x26



Ø4 x30mm

