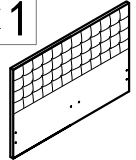
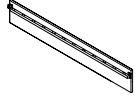
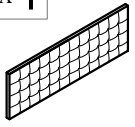



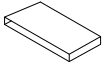
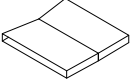
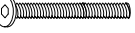


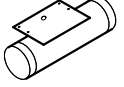
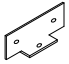
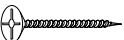
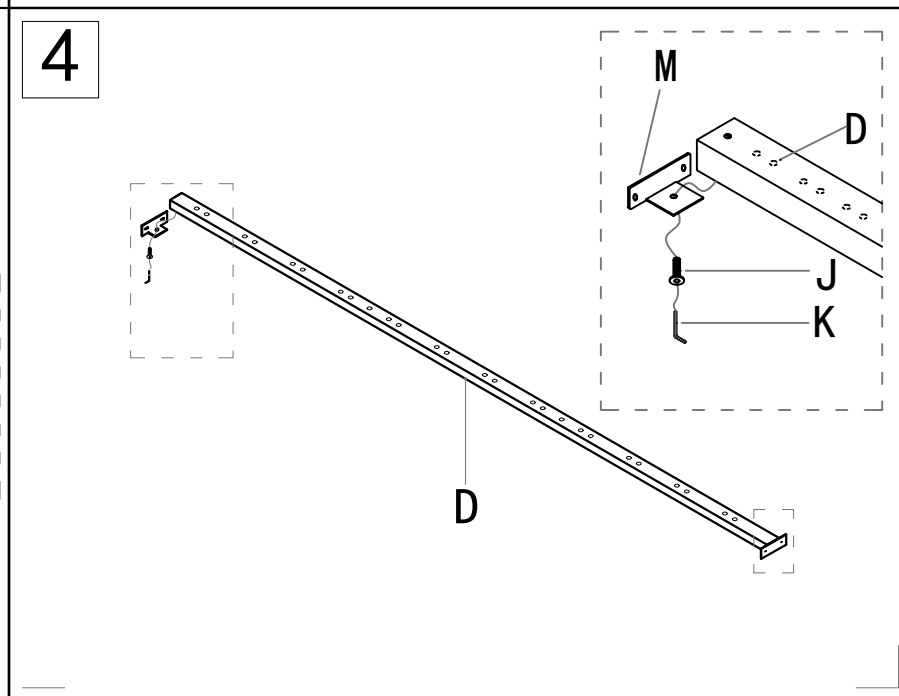
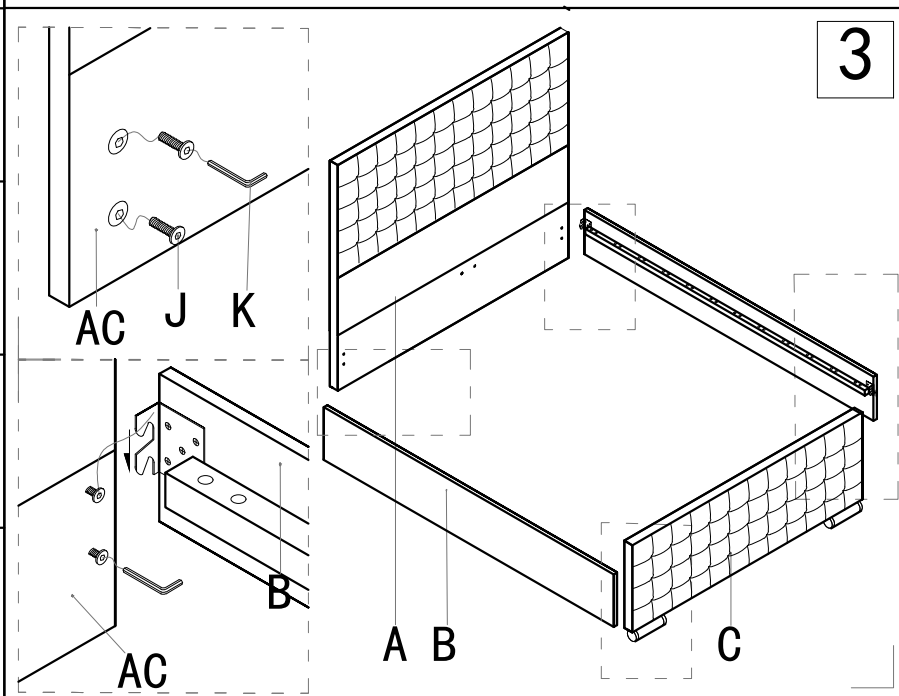
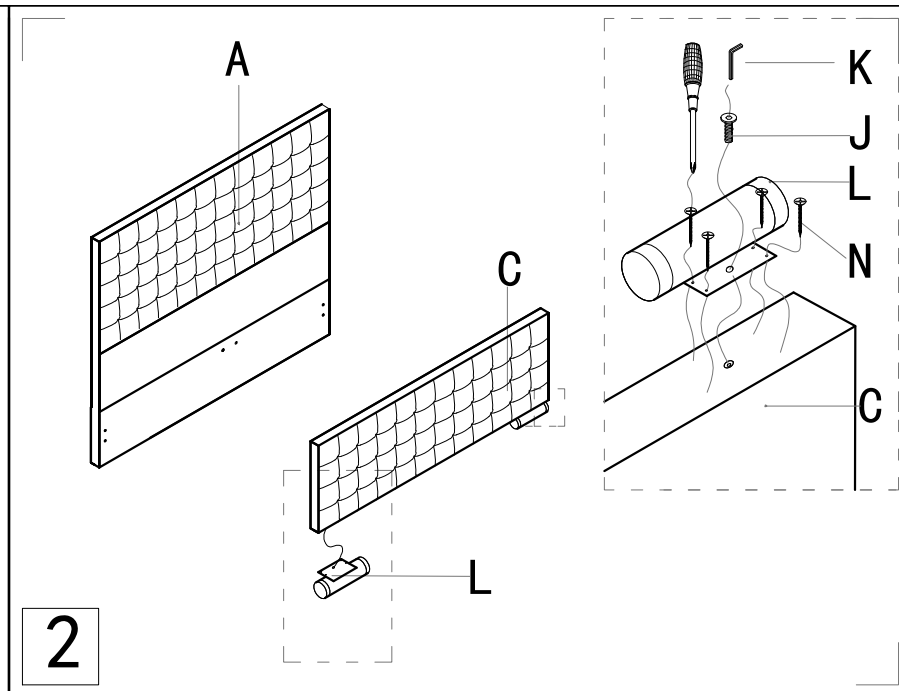
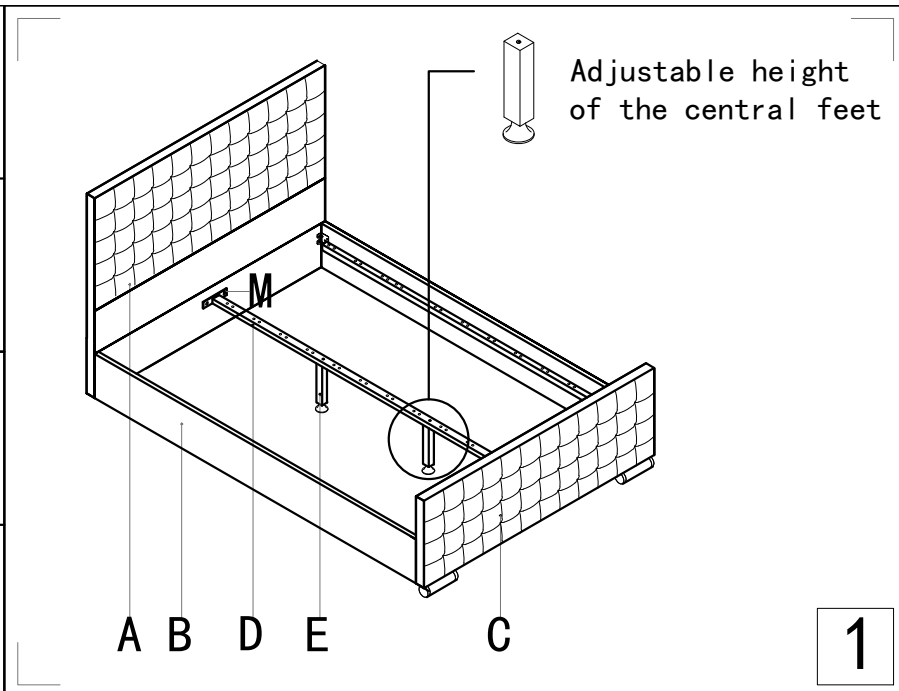
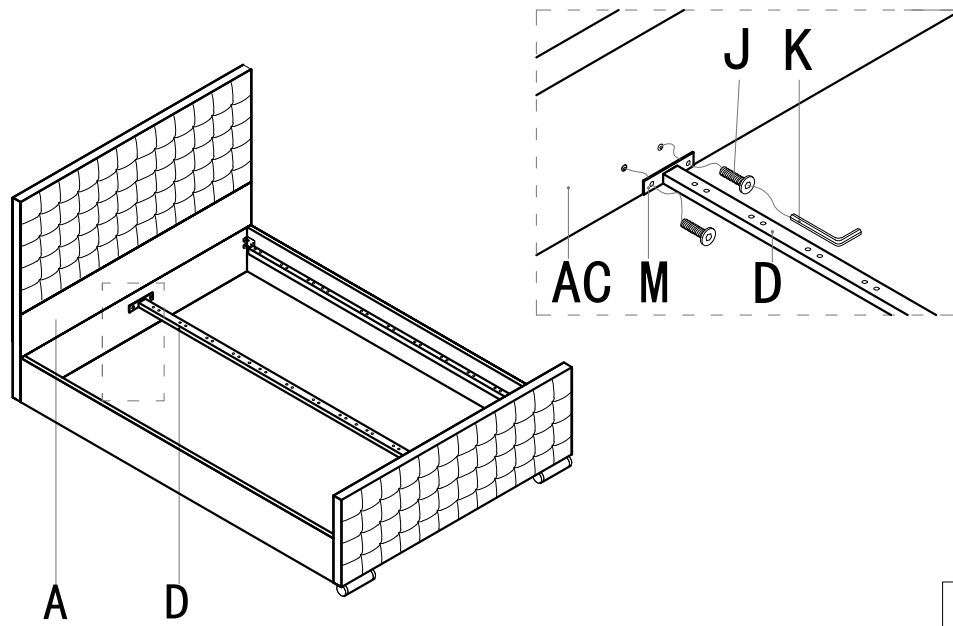
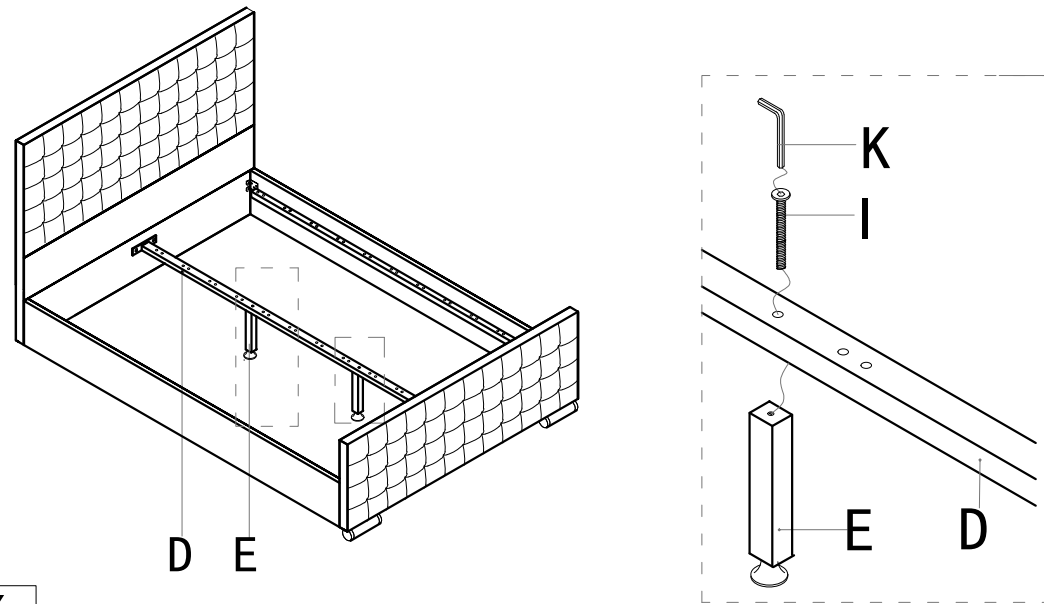


A x 1 	B x 2 
C x 1 	D x 1 
E x 2 	F x 24 
G x 24 	H x 12 
I x 2  M8x50	J x 16  M8x25
K x 1 	L x 2 
M x 2 	N x 8 

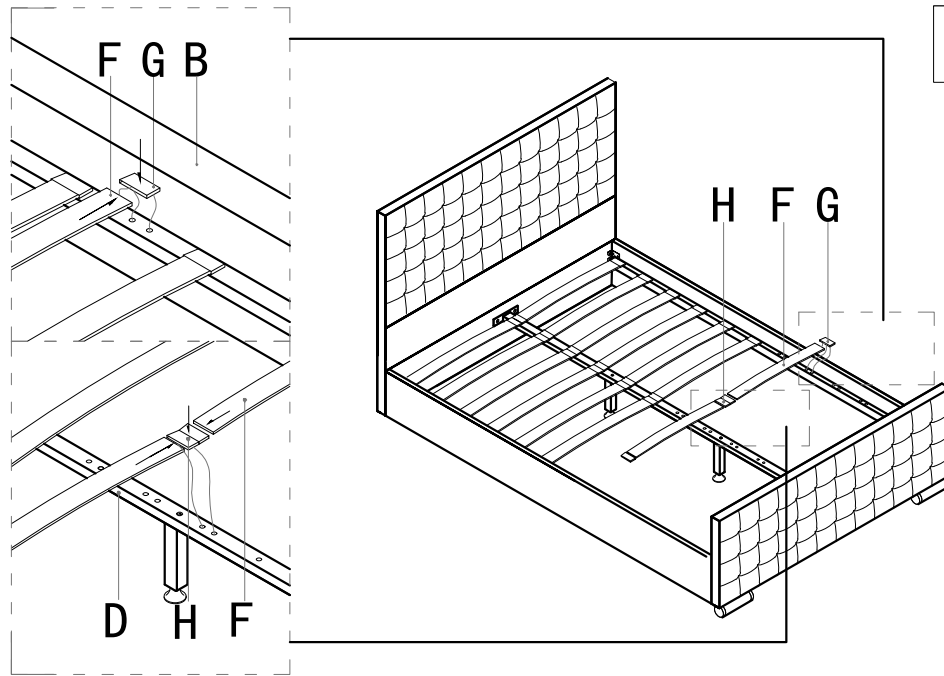




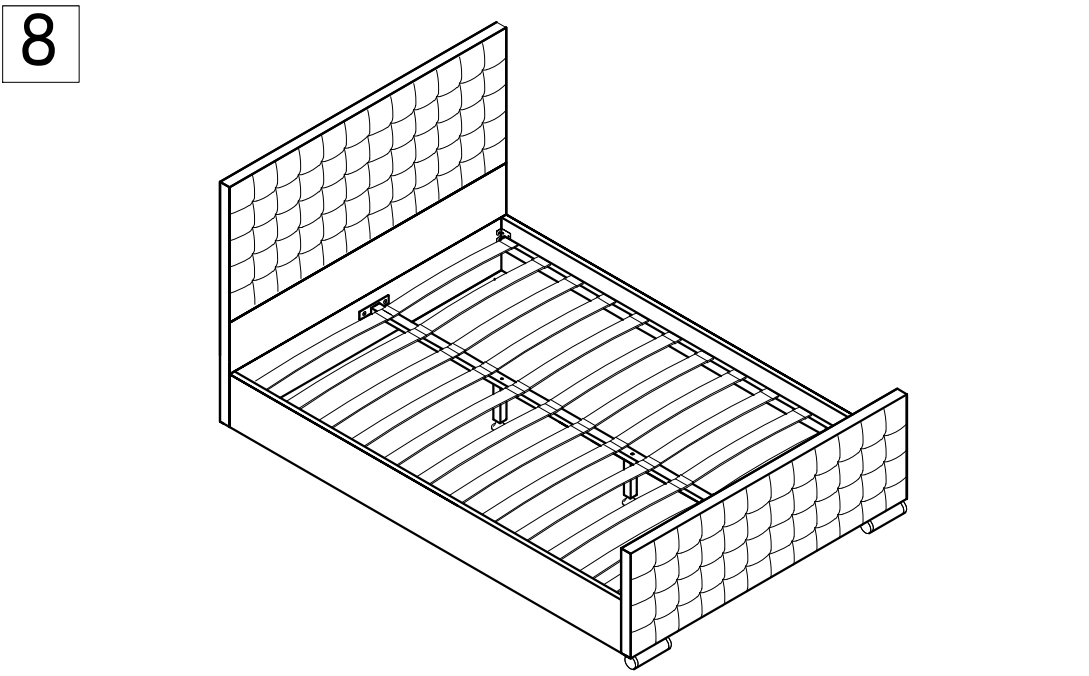
5



6



7



8