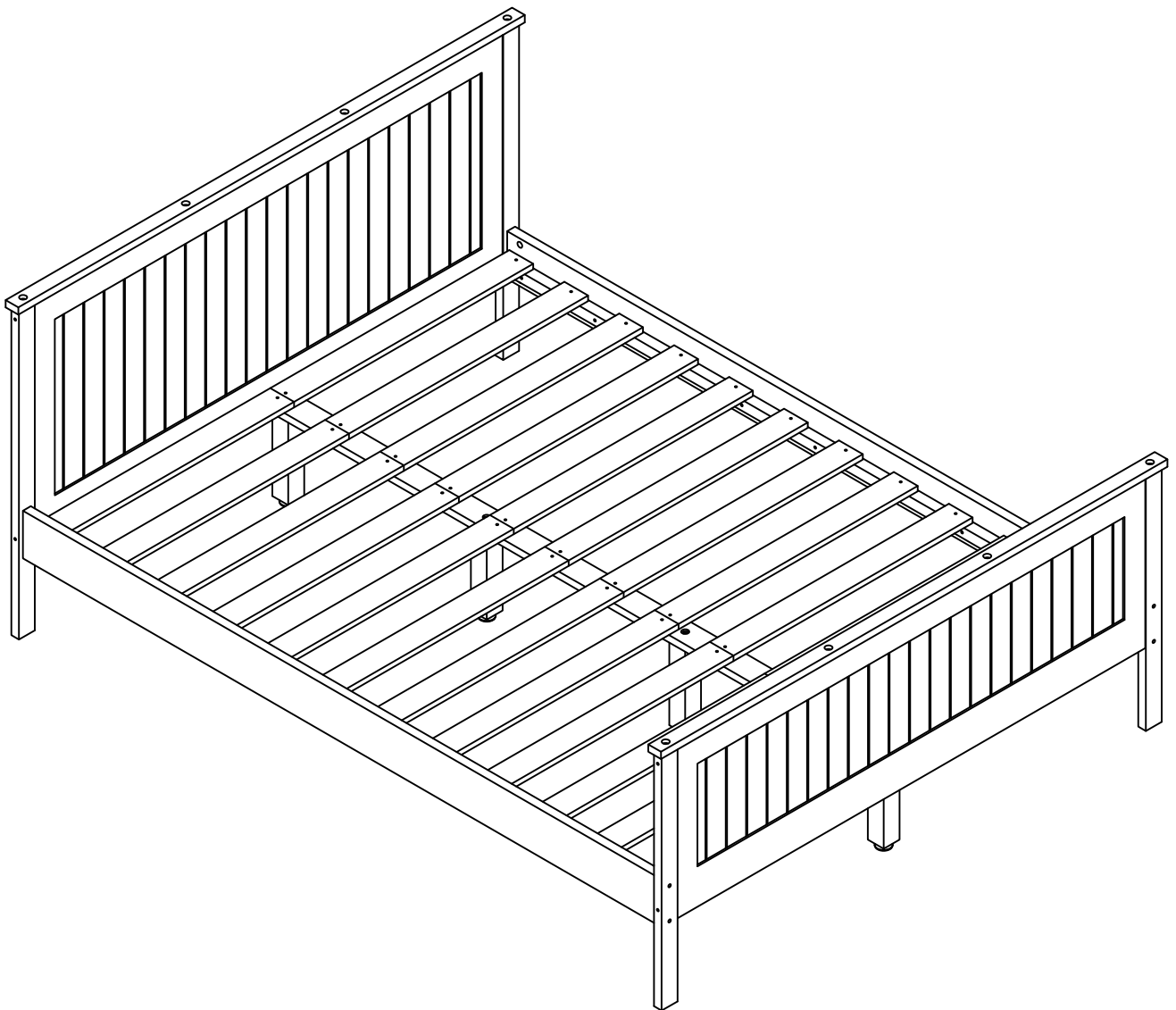
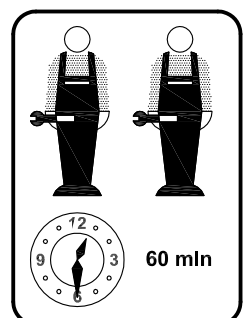


MODEL : ROSTHERNE [DOUBLE/KING]

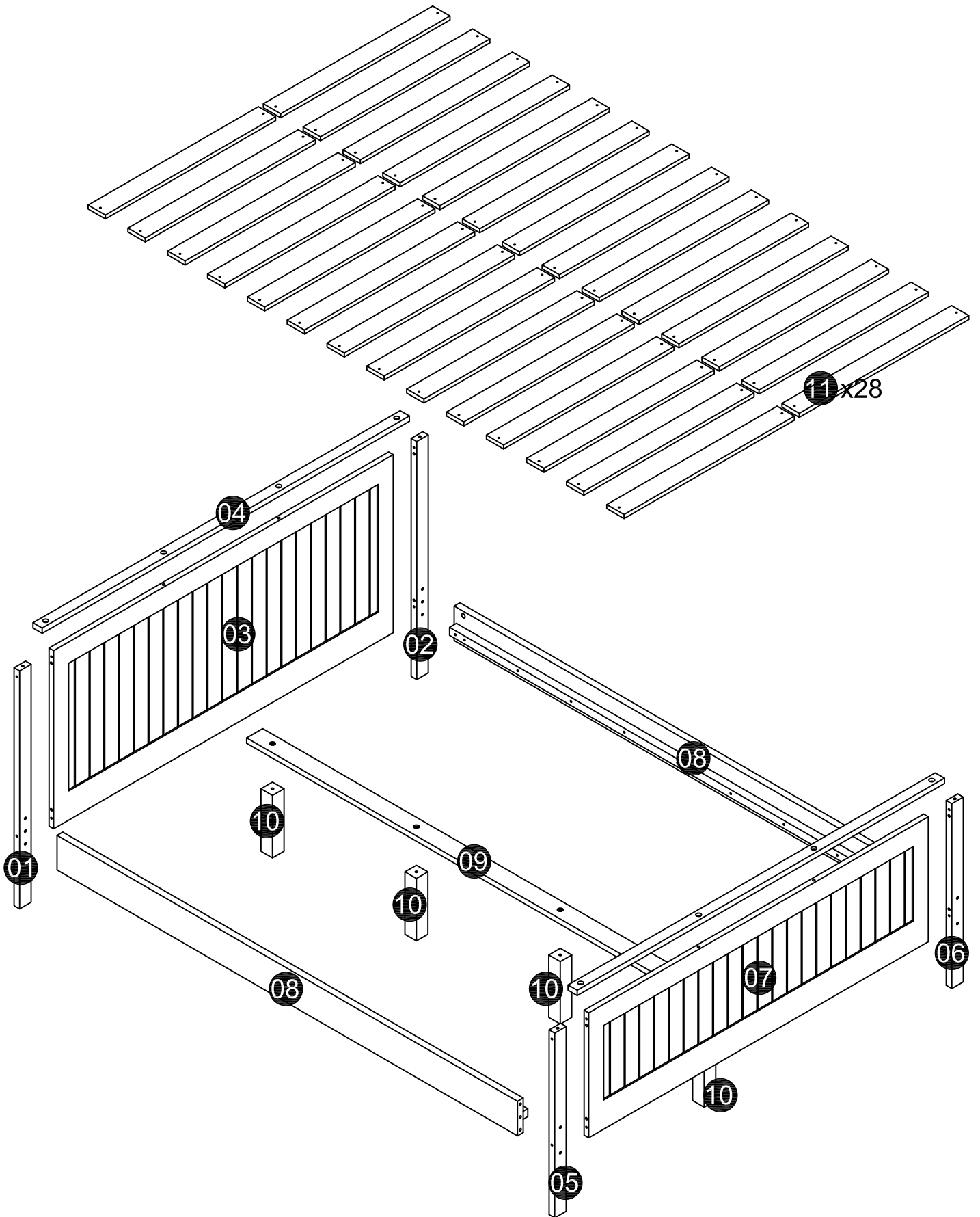


READ THE ASSEMBLY INSTRUCTIONS CAREFULLY. IDENTIFY THE ELEMENTS CONSTITUING YOUR PIECE OF FURNITURE. GROUP AND CHECK THE HARDWARE FITTINGS. GET THE TOOLS NEEDED. CLEAR SPACE TO WORK. PROCEED TO ASSEMBLE

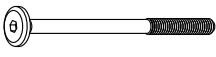
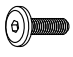


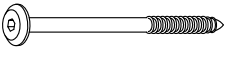

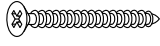
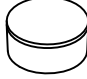


NEVER FORCE THE FITTINGS. TIGHTEN THE SCREW AFTER USING FOR SOMETIME. KEEP YOUR ASSEMBLY INSTRUCTIONS, IT COULD HELP FOR BETTER COMMUNICATION WITH YOUR STORE. IN THE EVENT OF QUERY.



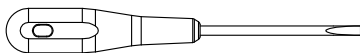
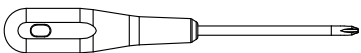
EXPLODED VIEW



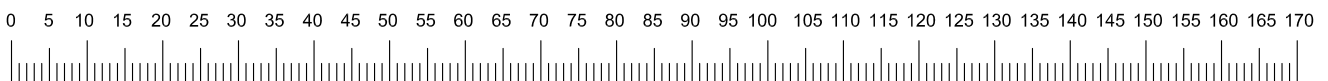
HARDWARE

<p>A x8</p>  <p>M6 x100mm</p>	<p>B x8</p>  <p>M6 x25mm</p>	<p>C x8</p> 	<p>D x12</p>  <p>Ø8 x30mm</p>	<p>E x8</p>  <p>Ø6 x100mm</p>
<p>F x1</p> 	<p>G x56</p>  <p>Ø4 x30mm</p>	<p>H x8</p> 	<p>I x4</p>  <p>M6 x30mm</p>	<p>J x4</p> 

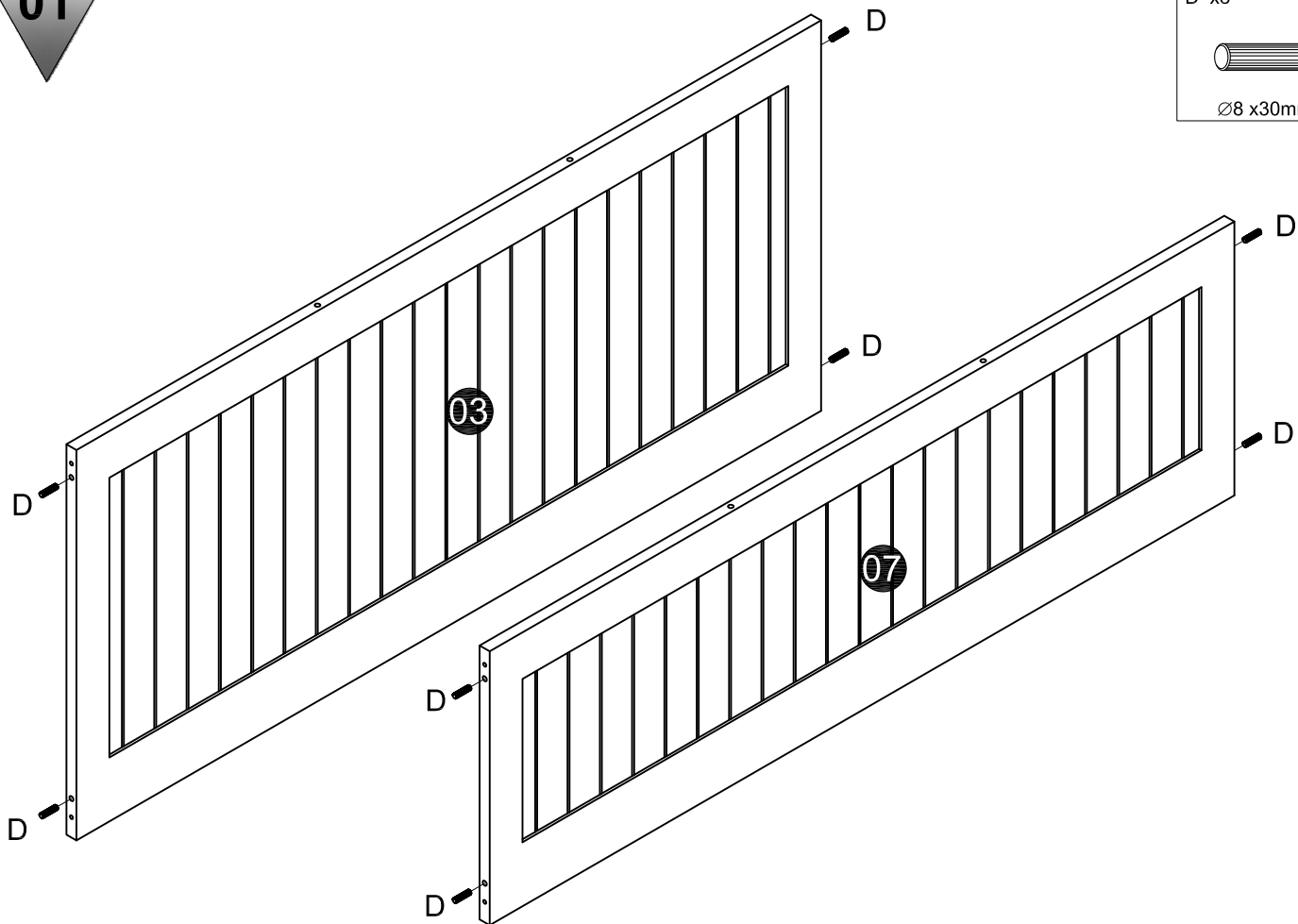
TOOLS



Ruler - Use this ruler to help correctly identify the screws



01

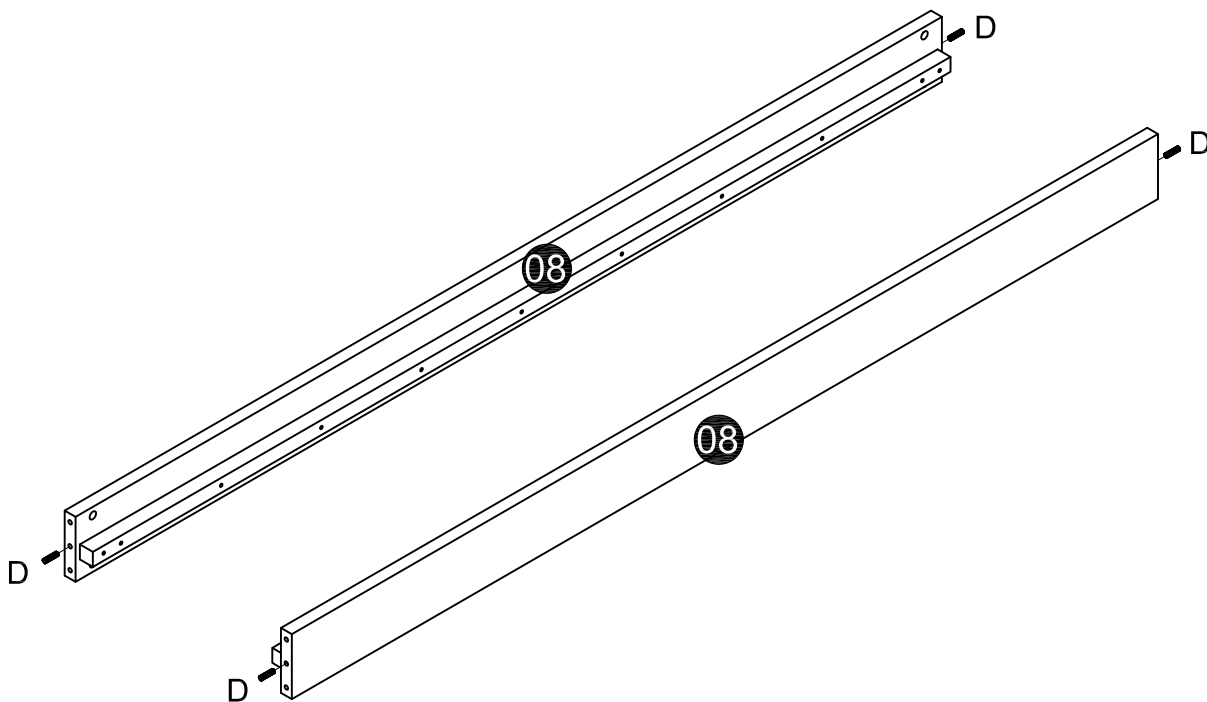


D x 8



Ø8 x 30mm

02

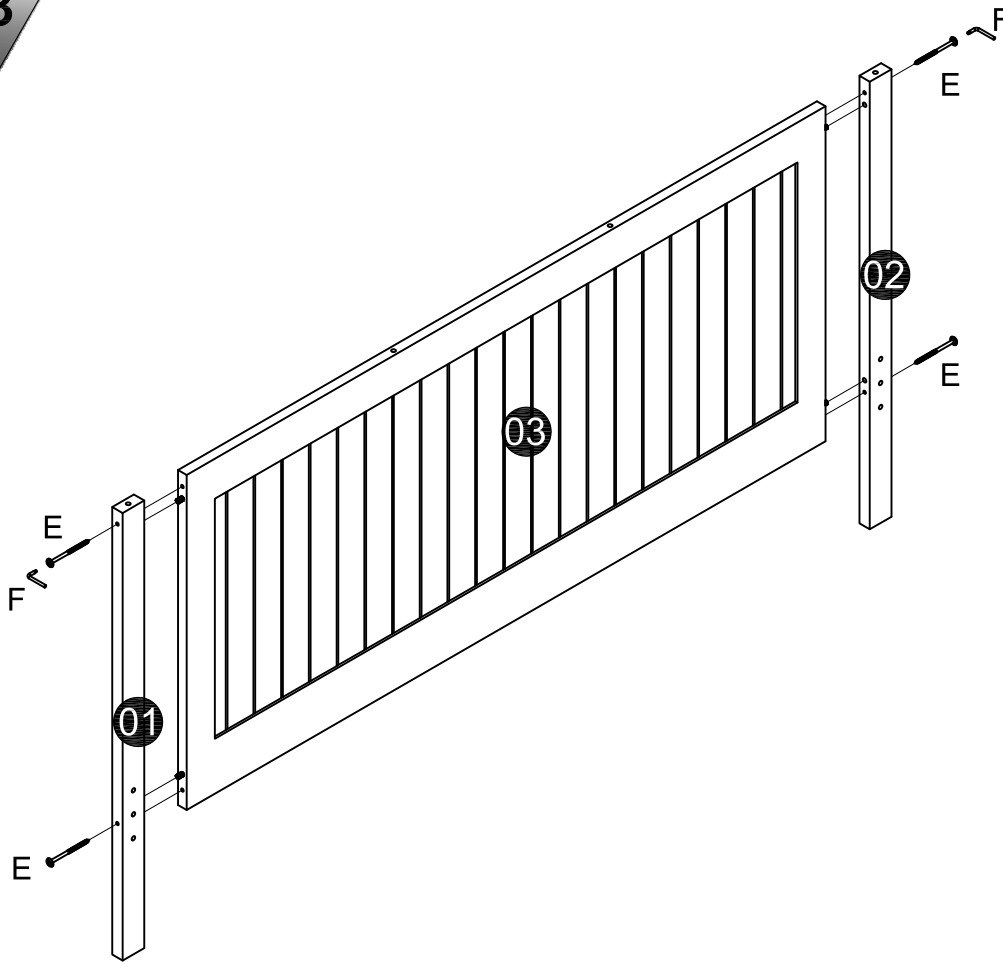


D x 4

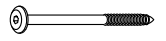


Ø8 x 30mm

03



E x4

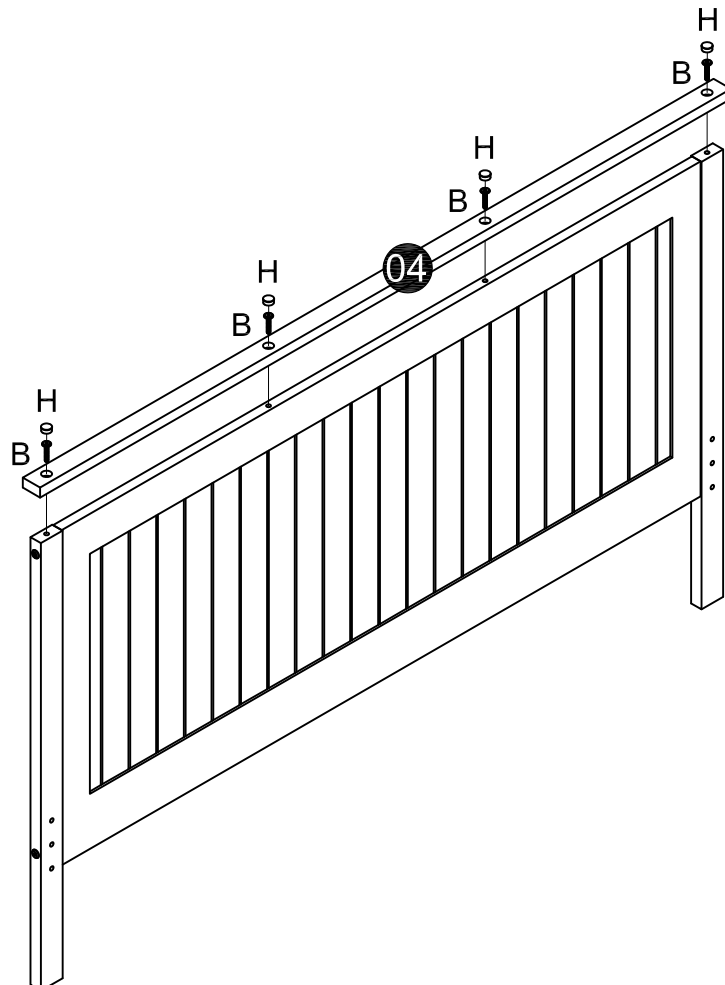


∅6 x100mm

F x1



04



H x4

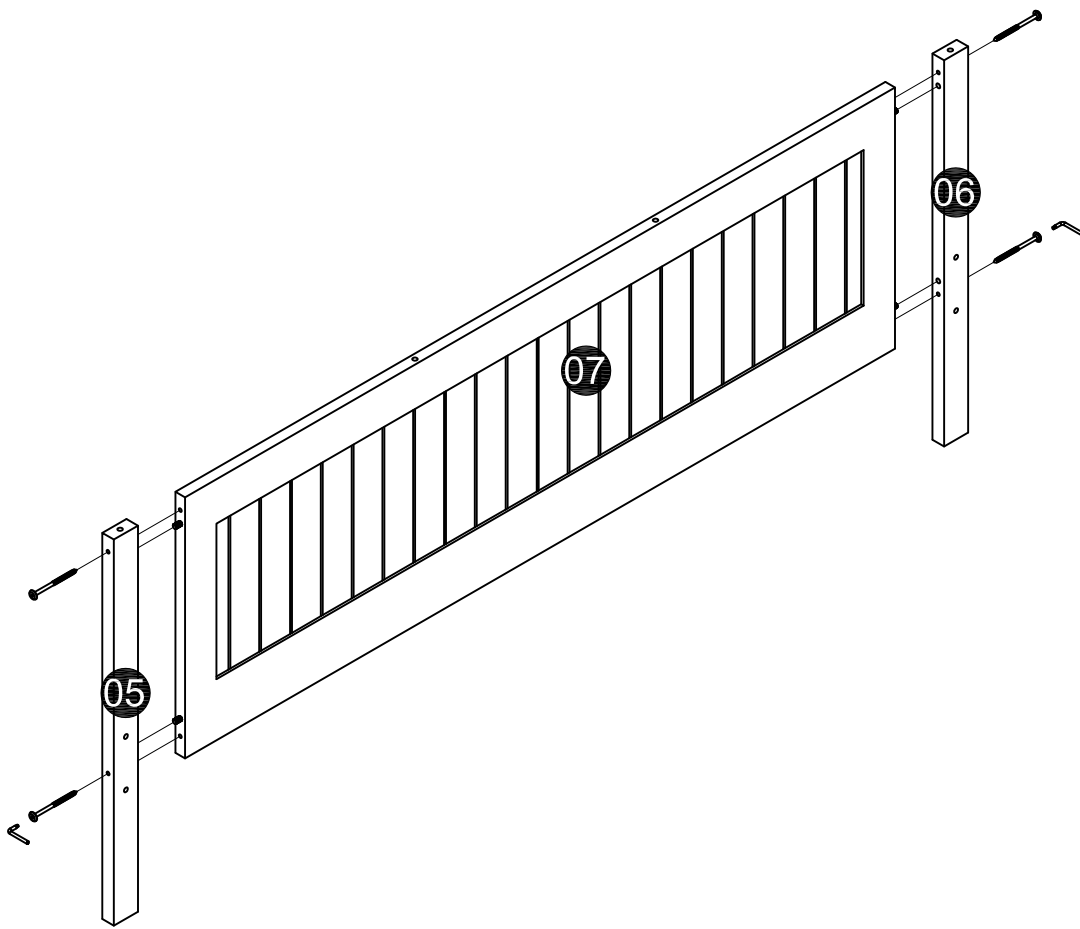


B x4

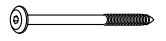


M6 x25mm

05



E x4

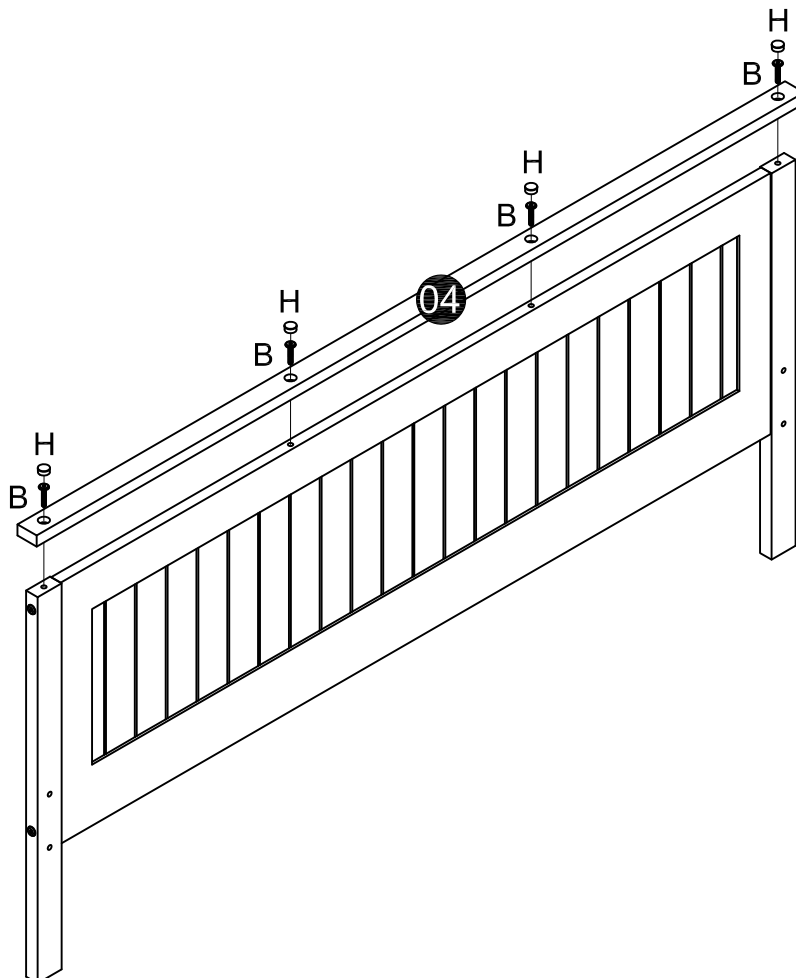


∅6 x100mm

F x1



06



H x4

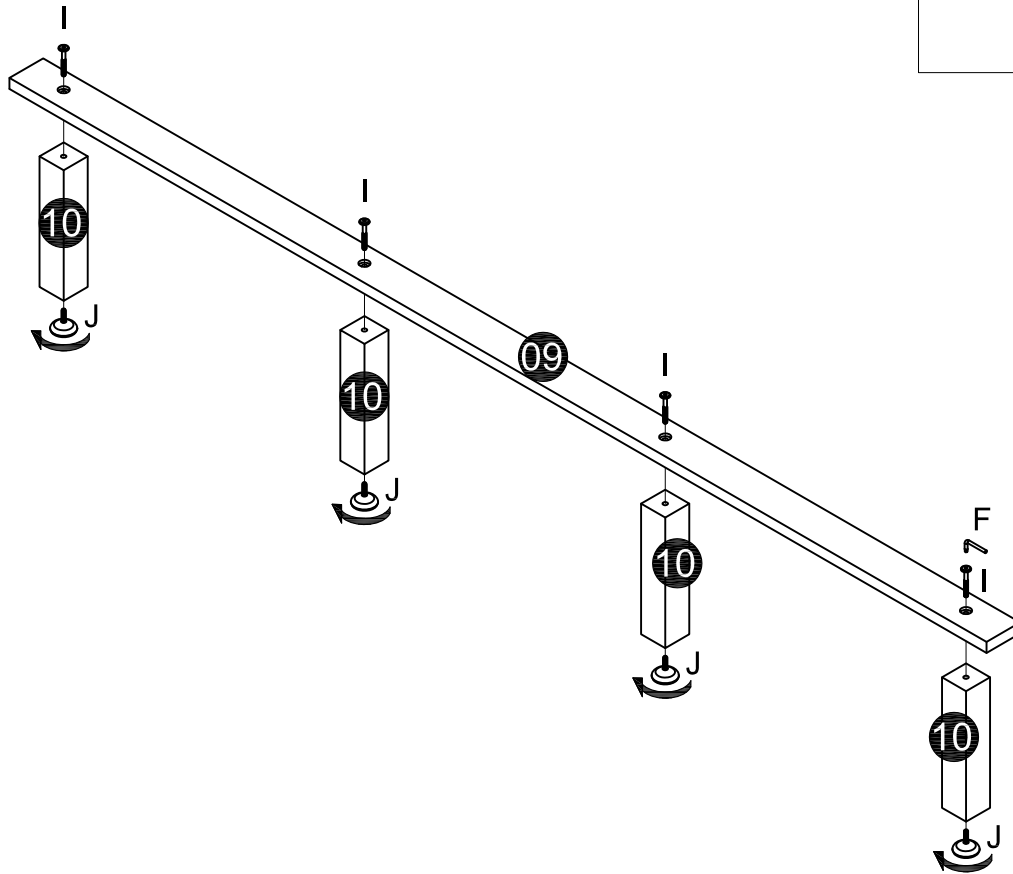


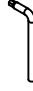


B x4



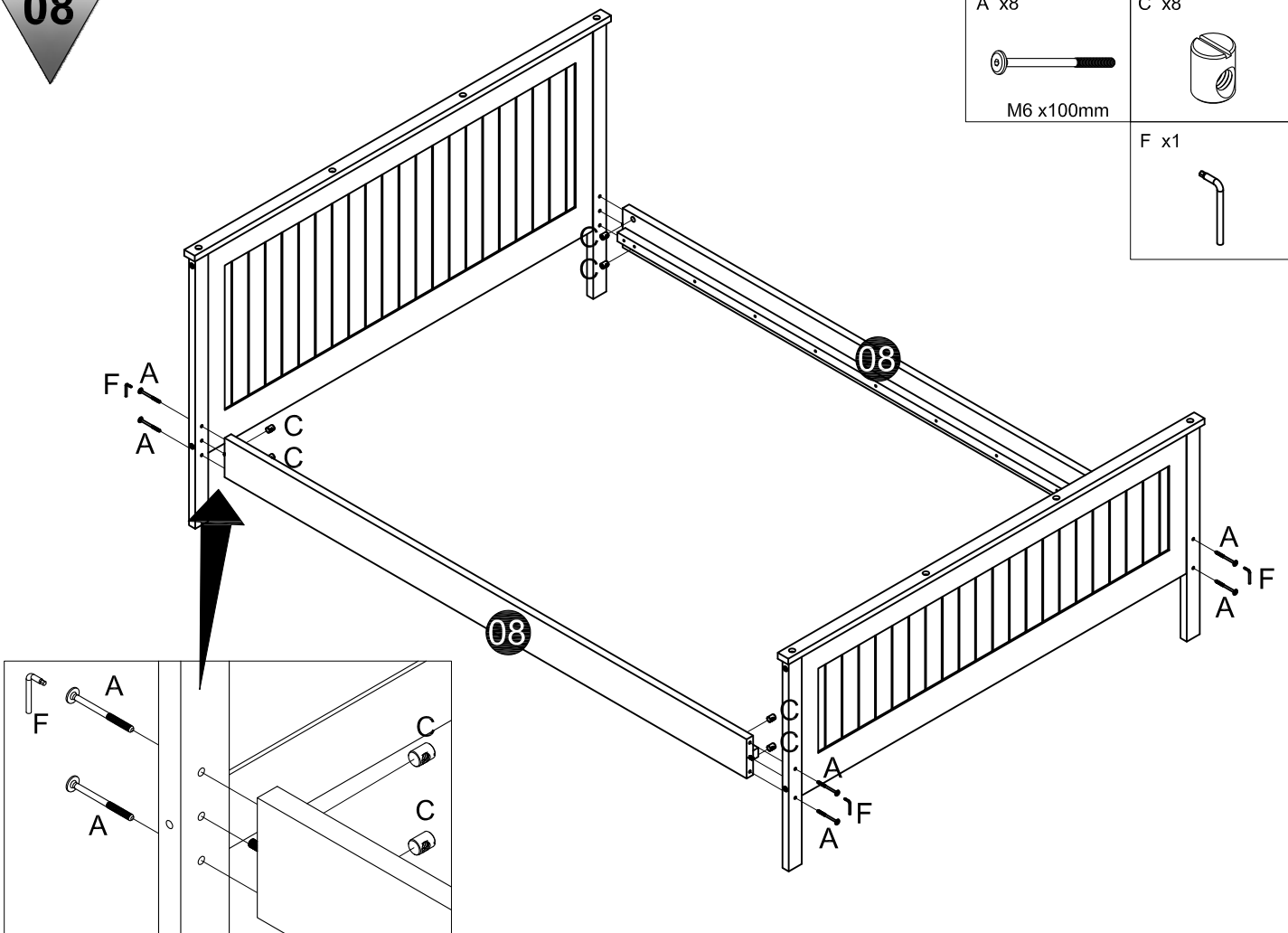
M6 x25mm

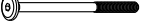

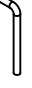
07



F x1 	I x4 
	M6 x30mm
J x4 	

08



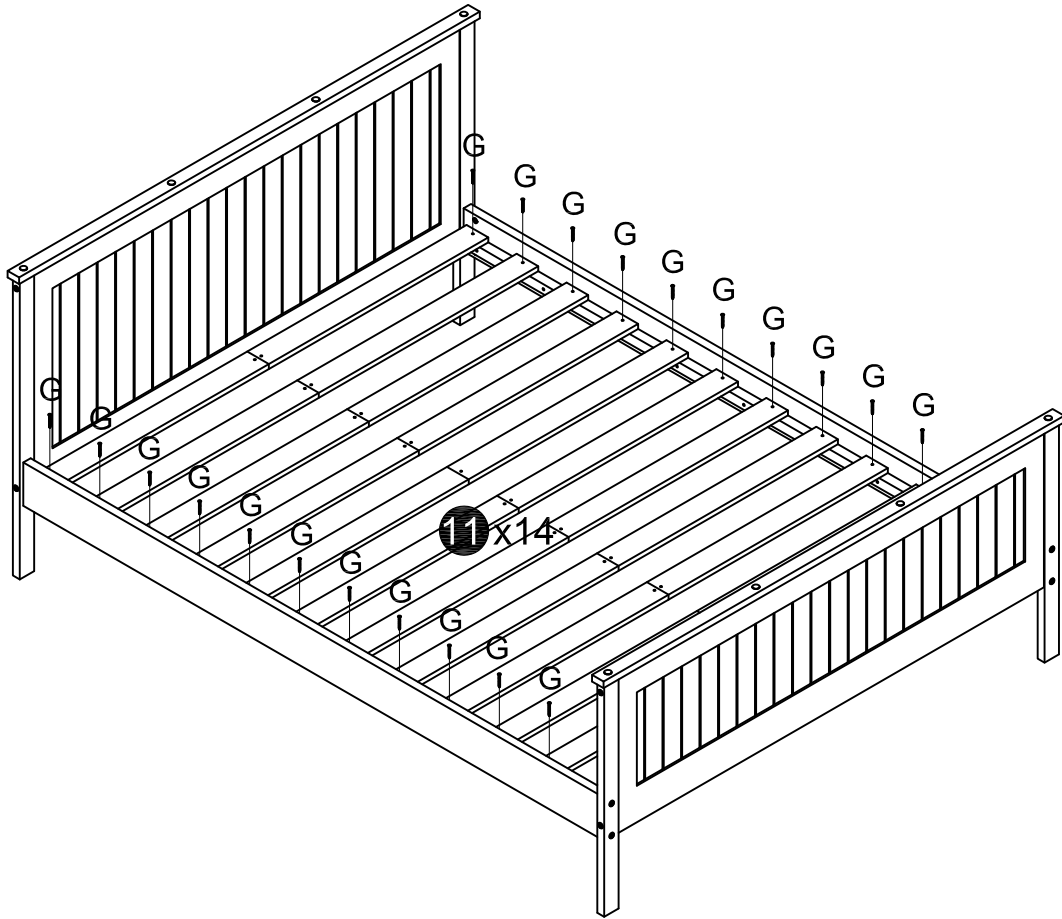
A x8 	C x8 
M6 x100mm	
F x1 	

09

G x28



Ø4 x30mm



10

G x28



Ø4 x30mm

